

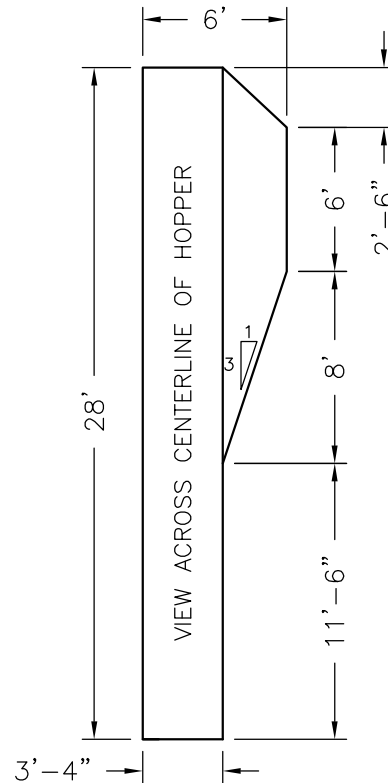
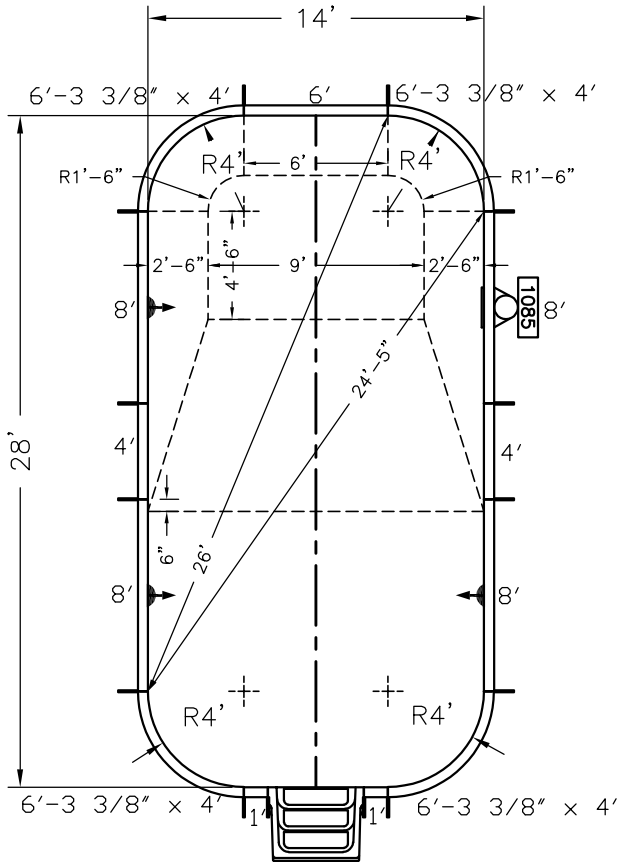


Pool Size: 14' X 28'
Pool Shape: RECTANGLE
Pool Number: PRT37846

250 Route 61 South, Schuylkill Haven, PA 17972 • 570-385-4733 • fax: 570-385-1318 • CustomerService@CardinalSystemsinc.com

Bill of Materials

| PART NO. | QUANTITY | DESCRIPTION |
|----------------|----------|---|
| "A" FRAME | 14 | "A" FRAME ASSEMBLY |
| 5C42633XX04000 | 4 | 6'-3 3/8" x 4' Radius C PANEL W/0 Z |
| 5S42100XXX0 | 2 | 1' Straight PANEL W/0 Z |
| 5S42400XXX0 | 2 | 4' Straight PANEL W/0 Z |
| 5S42600XXX1 | 1 | 6' Straight PANEL W/1 Z |
| 5S42800RCN2 | 3 | 8' Straight PANEL W/2 Z WITH Return |
| 5S42800WCN2 | 1 | 8' Straight PANEL W/2 Z WITH 1085 Skimmer |



4' PLASTIC STEP

NOTE: THIS IS A NON DIVING POOL.

| | |
|----------------------------|------------------------------|
| Date: 01/16/23 | Perimeter: 77'-1 5/8" |
| Drawn By: JAY I. | Area: 378.3 SQ. FT. |
| Scale: 1/8" = 1'-0" | Notes: ----- |



This information is the confidential property of Cardinal Systems, Inc. Disclosure or duplication without proper written approval is strictly prohibited. Acceptance and use of this drawing constitutes knowledge and acceptance by the user of the terms and conditions set forth in the notice and warning which accompanied this drawing is incorporated herein and made part hereof and is found on Cardinal Systems, Inc's website at www.CardinalSystemsinc.com