

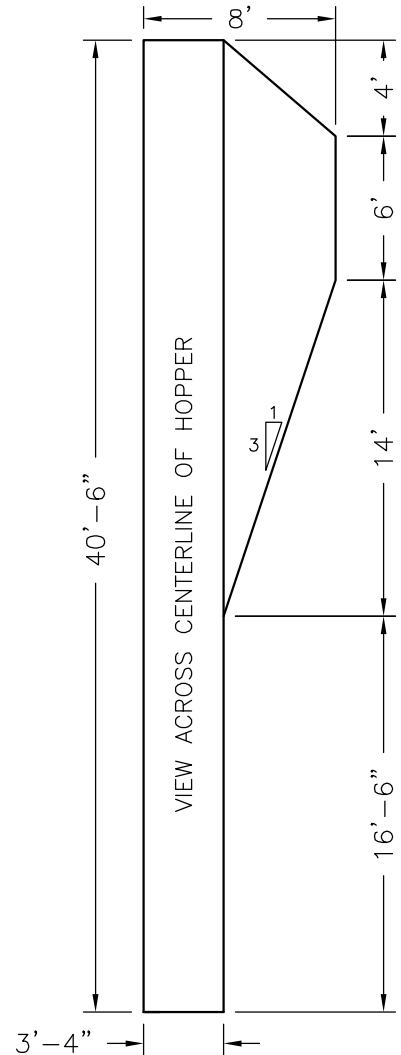
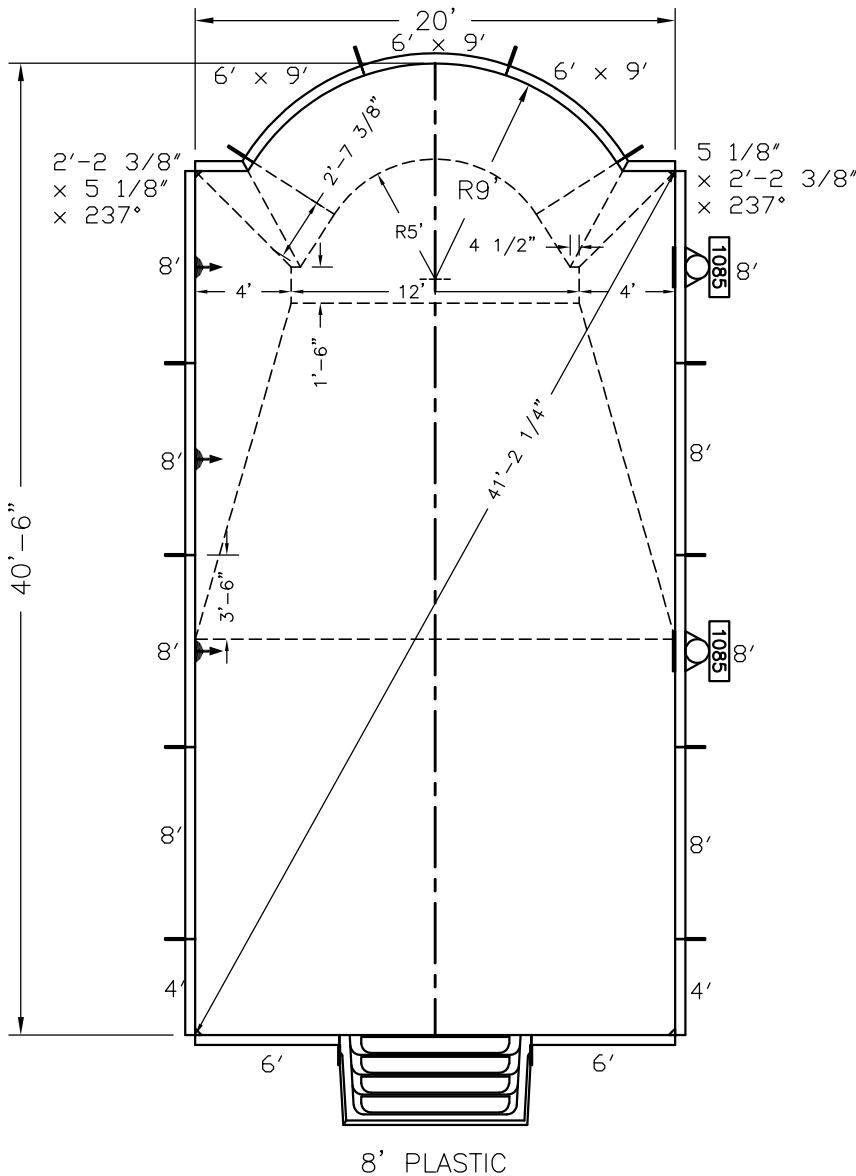


Pool Size: 20' X 40'
Pool Shape: ROMAN END
Pool Number: PRE01410

250 Route 61 South, Schuylkill Haven, PA 17972 • 570-385-4733 • fax: 570-385-1318 • CustomerService@CardinalSystemsinc.com

Bill of Materials

| PART NO. | QUANTITY | DESCRIPTION |
|----------------|----------|---|
| "A" FRAME | 14 | "A" FRAME ASSEMBLY |
| CS902SA | 4 | 90 DEG CORNER ANGLE |
| CS902SB | 4 | 6" RAD CORNER FILLER "BIG VEE" |
| 5C42600XX09000 | 3 | 6' x 9' Radius C PANEL W/O Z |
| 5S42400XXX0 | 2 | 4' Straight PANEL W/O Z |
| 5S42600XXX1 | 2 | 6' Straight PANEL W/I Z |
| 5S42800RCN2 | 3 | 8' Straight PANEL W/2 Z WITH Return |
| 5S42800WCN2 | 2 | 8' Straight PANEL W/2 Z WITH 1085 Skimmer |
| 5S42800XXX2 | 3 | 8' Straight PANEL W/2 Z |
| 5T42051237223 | 1 | 5 1/8" x 2'-2 3/8" x 237° ELL |
| 5T42223237051 | 1 | 2'-2 3/8" x 5 1/8" x 237° ELL |



Date: 01/16/23

Drawn By: JAY I.

Scale: 1/8" = 1'-0"

Perimeter: 115'-3"

Area: 869.8 SQ. FT.

Notes: -----



CardinalSystemsinc.com

This information is the confidential property of Cardinal Systems, Inc. Disclosure or duplication without proper written approval is strictly prohibited. Acceptance and use of this drawing constitutes knowledge and acceptance by the user of the terms and conditions set forth in the notice and warning which accompanied this drawing is incorporated herein and made part hereof and is found on Cardinal Systems, Inc's website at www.CardinalSystemsinc.com