



WINTERIZING YOUR POOL



POOL WINTERIZATION

- Detail clean the pool, and ensure to skim the pool of any leaves or debris. Vacuum and brush the liner, including walls under water level before lowering the water.
- Run the pool filter pump 24/7 for a few days prior to closing the pool.
- Skim the pool again before covering the pool.
- Test the water balance, then shock the pool 3-5 days before closing. Do not add chlorine shock and immediately cover the pool.
- Be sure to add stain preventer and algaecide separate of adding chlorine shock. Typically 3-4 hours afterward.
- Drain the pool water level to approximately 2” below the skimmer level using a garden hose as a siphon or with the use of a submersible sump and garden hose.



- When you are ready to cover the pool, turn off the filter pump and switch off the circuit breaker to the pump motor.
- Open the air release valve on top of the filter. Do not remove the cover of filter.
- Loosen the drain nut and cap at the base of the filter to ensure that the tank is empty.
- Drain circulation system of all water. There is a drain valve at the base of the pool pump, chlorinator, and the drain at the base of the filter tank (see images below for locations). Open both and allow to drain completely.



Pump



Chlorinator



Filter tank

- Use a wet-dry shop vac and remove remaining water from the lines. Do this once the chlorinator, cartridge filter and pump have been drained and drain plugs replaced to allow good suction in the filtration lines. You can vacuum from the skimmer inlet, as well as the return inlet (see image below).





POOL WINTERIZATION

- With filtration system drained and either blown out with a compressor or remaining water removed by vacuum, the next step is to add antifreeze for additional protection. Antifreeze is added through the skimmer until you see the antifreeze present in the elbow of the PVC (image below).



- Remove the basket from the skimmer. Insert gizmo (*see image and description below) if you will be using one.



*A gizmo is a long, hollow plastic tube that threads into the skimmer opening to prevent the skimmer from cracking in the cold winter weather. The gizmo is an ice compensator, which means that if water gets into your skimmer and freezes and ice expands, the gizmo will absorb the expansion (instead of the skimmer).

- Apply nylon tape on the 1 ½” thread on the Gizmo before inserting into the skimmer line (see image bottom left). Thread the Gizmo into the filtration line after filling with antifreeze. Replace the cover on the skimmer.

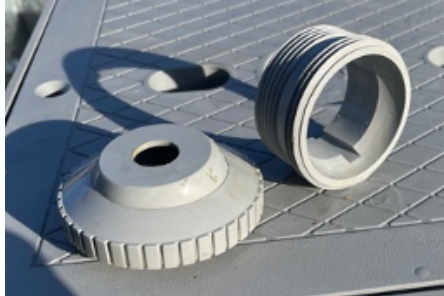


- You may now cover the pump and filtration system with a tarpaulin or plastic sheet to protect it from the weather, or you may disconnect the filter and elect to store the filter assembly indoors for the winter. The black compression fittings on the cartridge filter may be undone to remove.



POOL WINTERIZATION

- Remove the return inlet ball fitting. You may need a PVC wrench or plumbing wrench to loosen. Now use the key to remove the threaded insert within the return. Once removed, screw in and secure the threaded Pool Return Line Plug.

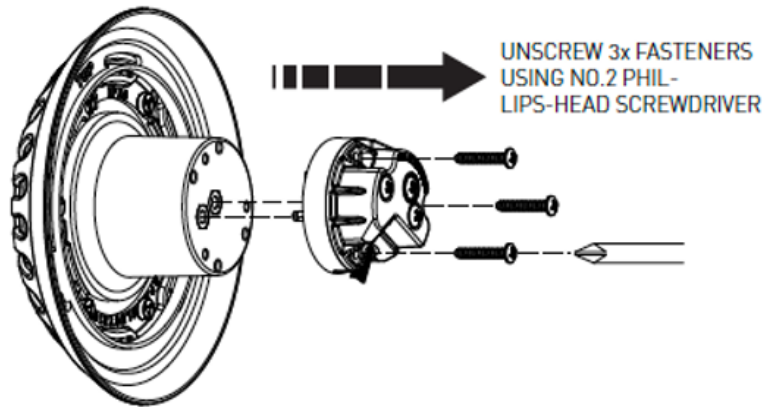


- Disconnect the pool light(s) using the winterization instruction contained within the Use Manual for your Atom Series light. Instructional diagram below.

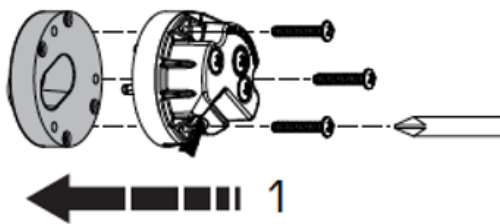
WINTERIZATION

PLUG REMOVAL & TERMINAL COVER ATTACHMENT

3 REMOVE PLUG FROM LIGHT

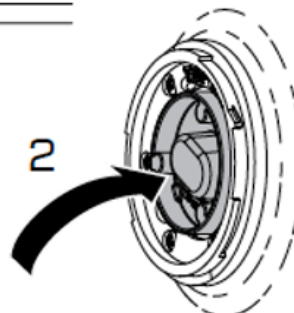


4 ASSEMBLE TERMINAL COVER TO PLUG & STORE IN NICHE



1 ASSEMBLE TERMINAL COVER TO PLUG
USING NO.2 PHILLIPS-HEAD SCREW-
DRIVER

2 [RECOMMENDED] STORE PLUG WITHIN
NICHE DURING WINTER PERIOD





POOL WINTERIZATION

INSTALLING THE WINTER COVER

1. The WARNING label affixed to the winter cover will tell you which side is to be facing upwards. (see image right).



2. The step cover needs to be attached to the winter cover and has straps attached (red arrow) that are used along with water bags, sand bags or weights to hold the step cover in place (see image below).



3. The step cover attaches to the winter cover by sliding the black track located on the step cover over the bead on the winter cover. Align the step cover so it is centered on the short side of the winter cover and attach prior to putting winter cover on pool.





POOL WINTERIZATION

INSTALLING THE WINTER COVER

4. Install the winter cover by inserting the beading on the cover into the double F-Track bead receiver located at the top of the F-Track just under the top rail. Once in place, add a little water on top of the cover to hold down the liner in windy areas. No air pillow or flotation device is necessary.



5. Most pools will have decking, patio pavers or concrete to place weights (sand tubes or water bags purchased separately) so that the straps rest on the decking. The image below will require weights on the small deck area available and steps in order to protect from wind lifting the step cover.



6. When removing the winter cover in the Spring, be sure to apply lubricant to the bead to maintain flexibility and prevent shrinkage. Store in a dry area where temperature is below 90 degrees.