



SKU# NB19824

SAVANNAH OVAL 52-IN DEEP RESIN POOL WITH 8-IN TOP RAIL INSTRUCTION MANUAL



Questions, problems, missing parts?

Before returning to your retailer, call our Consumer Hotline at 1-800-759-0977,
Monday – Friday. 8am – 5pm (CST)

TABLE OF CONTENTS

THANK YOU!	3
SAFETY INFORMATION	3
IMPORTANT SAFETY INSTRUCTIONS	4
GENERAL WATER SAFETY	5
ADDITIONAL POOL AND WATER SAFETY GUIDELINES	6
SAVANNAH OVAL STYLE POOL - PARTS LIST.....	7
SELECTING A SUITABLE SITE.....	8
POOL SETUP.....	9
LEVELING THE AREA	10
POOL FRAME ASSEMBLY	11
CONCRETE PADS AND ASSEMBLED FRAME	13
ASSEMBLING THE POOL RAIL.....	15
INSTALLING THE POOL WALL.....	16
MEASURING THE LEVEL AND SHAPE OF THE POOL WALL.....	17
PROTECTIVE SAND CUSHION.....	18
INSTALLING THE POOL LINER.....	19
ASSEMBLY OF THE RESIN VERTICAL SUPPORTS	21
ASSEMBLY OF THE RESIN TOP PLATFORMS.....	22
ASSEMBLY OF THE JOINT PROTECTORS.....	22
CHECKING ALL CONNECTIONS AND JOINTS.....	23
INSTALLING THE SKIMMER.....	23
INSTALLATION OF THE FILTRATION SYSTEM.....	23
FILLING THE POOL WITH WATER.....	24
SAFETY WARNINGS	25
POOL MAINTENANCE.....	26
SAVANNAH POOL WARRANTY.....	27

THANK YOU!

Thank you for purchasing this product. We work around the clock and around the globe to ensure that our products maintain the highest possible quality. However, in the rare case of issues during assembly or use of this product, please contact our **Consumer Hotline at 800-759-0977** for immediate assistance before contacting your retailer. Please read the warranty information at the back of these assembly instructions for further details.

SAFETY INFORMATION

Please read and understand this entire manual before attempting to assemble, operate or install the product.



IMPORTANT SAFETY INSTRUCTIONS

Please examine equipment before use. If there are any damaged or missing parts at the time of purchase, do not assemble or operate until parts are replaced.

To lessen the risk of serious injury or death, follow these rules.

The following instructions contain important safety information, please read these important safety instructions and abide by them when installing and using this pool. When installing and using the electrical equipment, basic safety precautions must always be followed.

This includes the following:

WARNING!

Children have drowned in swimming pools.

Ensure active adult supervision at all times. Do not leave children unsupervised in or around the pool. Keep them within arms reach.

WARNING: Consult local municipality, water authority, and building codes in regard to the use of water and/ or water restrictions relating to this product.

WARNING: Pool fencing laws affect this product, consult the local municipality for applicable building codes. Abide by state and federal law requirements such as fencing, enclosures, childproof gates, etc.

WARNING: Always remove pool ladder when not in use. Store in a place where it is not accessible to children.

DANGER: Prevent the risk of accidental drowning. Extreme caution must be exercised to prevent unsupervised access by children. To avoid accidents, ensure that children cannot use the pool unless they are always supervised by an adult. NEVER LEAVE CHILDREN UNATTENDED.

RISK OF ELECTRIC SHOCK: Connect filter pump only to a grounding type receptacle protected by a GFCI (Ground Fault Circuit Interrupter). Use a qualified electrician to install the GFCI, which has a maximum rate of 30A.

WARNING: Always know where the cut-off switch for the pump is, so it can be turned off in an emergency. It is necessary to have the GFCI Cut-Off Switch plug accessible after installation of the pool.

WARNING: To avoid electrocution, do not permit electric devices i.e., electric lights, telephone, radio, television, hair dryer, etc. within 8-ft of this pool.

WARNING: Do not touch the filter pump unless the area around it is completely dry.

WARNING: NEVER allow horseplay, diving or jumping into or around the metal wall pool.

WARNING: NEVER enter the pool via any decks or other raised surface, the water level of the pool is shallow. Serious injury, paralysis, or death could result.

CAUTION: It is advisable to wear protective gloves when assembling pool.

WARNING: Follow all safety and installation instructions provided with the filtration system, ladder, and skimmer.



GENERAL WATER SAFETY

- Always supervise children around water.
- Ensure a pool fence is correctly installed and functioning if it is required by your local municipality or state code.
- Follow all local and National Pool Safety Codes.
- Learn CPR and keep in practice.
- Post emergency phone numbers near a phone and the pool.
- Teach your children to swim.
- Keep any object that could be used by a child to climb into the pool at least 4-ft away from the side of the pool.
- Read these safety instructions to your children often.
- Prepare yourself mentally for any situation that may occur. You may be required to offer adequate aid and assistance.
- Many swimming pool and water safety publications are available online. You are urged to review them and share with all members of your family.



NO DIVING



NO JUMPING



NO SLOPING GROUND



**USE ONLY UNDER
COMPETENT SUPERVISION**

ADDITIONAL POOL AND WATER SAFETY GUIDELINES

- Name only one safety supervisor when people are in the pool.
- Reinforce supervision when there are several users in the swimming pool. Have personal flotation aids available (for people who cannot swim).
- Wet your neck, arms, and legs before you enter the water.
- Do not allow children who are unable to swim to enter the pool without swim vest or approved life jacket, and without adult supervision. Flotation devices are not a substitute for adult supervision.
- Do not leave toys near or in the pool with no supervision.
- Always keep the water clear and sanitized.
- Store the water treatment products away from children's reach.
- Do not leave children alone when you are talking on or looking at your phone.
- Always keep a pool buoy and pool pole at the pool side.
- Keep the pool fence gate shut when the pool is not occupied.
- If possible, use an electronic pool alarm that can detect someone falling into a pool.
- Install all warning and danger decals and signs as instructed.
- Contact the dealer or retailer for additional signs if deemed necessary.

THERE IS NO REPLACEMENT FOR CLOSE ADULT SUPERVISION OF CHILDREN

SAVE THESE INSTRUCTIONS

SAVANNAH OVAL STYLE POOL - PARTS LIST (Not to scale)

Check all parts and ensure they are present and undamaged before assembly. Images and objects may differ. Report missing or damaged parts immediately to have them replaced. For damaged or replacement parts, contact Blue Wave® Customer Service at (800)759-0977.



#	BW No.	Parts Description	MFG No.	30-ft x 15-ft x 52-in
1	NBP6045	POOL WALL	30191001	1
2	NBP6046	RESIN TOP PLATFORM	30191005	12
3	NBP6047	RESIN SIDE TOP PLATFORM	30191006	4
4	NBP6037	RESIN VERTICAL SUPPORT	20181008	16
5	NBP6048	RESIN BOTTOM RAIL	30191009	16
6	NBP6049	COPING	30191010	16
7	NBP6050	RESIN ROUND RAIL	30191011	16
8	NBP6033	PROTECTIVE PLUG	20181005	16
9	NBP6034	JOINT PROTECTOR	20181006	16
10	NBP6035	METAL PLATE	20181007	26
11	NBP6036	SELF-ADHESIVE TAPE	20001021	1
12	NBP6038	M6 NUT	20001022	58
13	NBP6039	M6 WASHER	20001026	58
14	NBP6040	M6X11 BOLT	20001023	138
15	NBP6041	M4X10 BOLT	20001024	78
16	NBP6051	L MODEL SUPPORT	30191021	6
17	NBP6052	FIXED PLATE	30191022	6
18	NBP6053	CONNECTION FIXED PLATE	30191023	3
19	NBP6054	M12-NUT	30191024	24
20	NBP6055	M12-WASHER	30191025	24
21	NBP6056	M12x24-BOLT	30191026	12
22	NBP6057	M12x100-BOLT	30191027	12

SELECTING A SUITABLE SITE

Carefully select the site for your new pool. This is the most important decision to ensure the safety and success of your pool's construction. An incorrect site could cause problems in the future that may result in injury, death, or financial loss. Carefully read the check list below when selecting your site.

Acceptable:

- Flat, level, firm, and dry ground
- Easy access to all sides of the pool
- Position in a spot with the most direct sunlight possible
- Ensure safe access to electricity for running the filter pump and other pool accessories
- Easy access to a water source
- Protection from wind, if possible
- A site for easily watching children

Not acceptable:

- Sloping ground
- Concrete, asphalt, sandy gravel, and swampy ground
- Close to wooden construction e.g., pergolas and decking
- Next to deciduous or leafy trees
- Under wires or clothesline
- Over drains, electric wires, or gas pipelines
- Areas with poor or little drainage
- Near sprinklers or over underground sprinkler plumbing
- High wind areas

Tools and Materials Required:

- Philips head screwdriver
- Flat blade screwdriver
- Adjustable wrench
- Sand shifter
- Sharp stake
- Clothes pins
- 4-ft Level
- 14-ft long, 2-in x 4-in board
- 8-in x 16-in x 2-in patio blocks sufficient to fit under each Foot Plate / Vertical Support
- 6 Pre-cast standard concrete blocks or cement mix
- Sharp knife
- Site excavation tools
- 4-ft X 4-ft piece of plywood
- Protective gloves

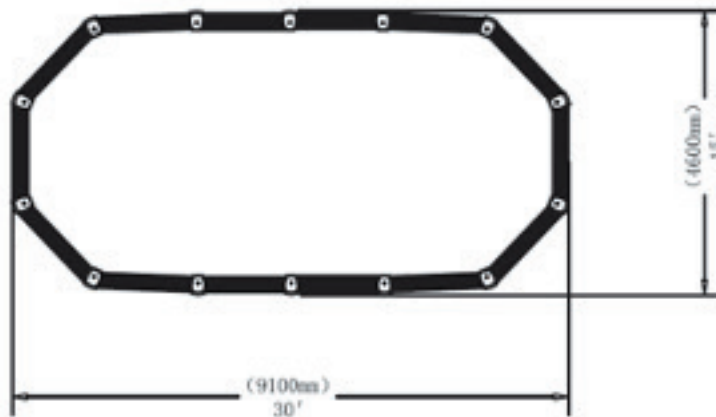
POOL SETUP

POOL SITE PREPARATION

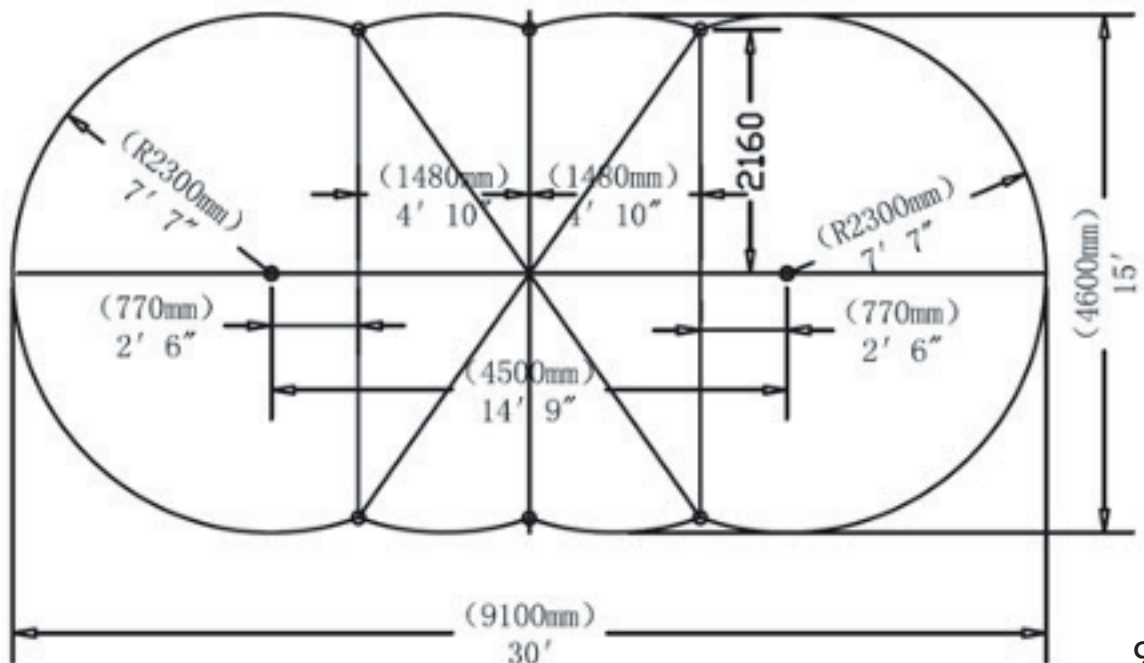
Remember ground preparation is the most important step in the installation of the pool. Do not install the pool over underground power lines, sewer lines, or other structures. Do not install on cement, asphalt, or other hard surfaces.

1. Mark off the pool area by driving a stake in the center of the area where the pool will be installed. Have a helper hold a tape measure or a string and mark off the pool perimeter using flour, chalk, or spray paint. Remove all sod inside the pool area to 1-ft (30-cm) beyond the dimensions of the pool.
2. If the area selected for pool installation has Nut Grass, Bermuda Grass, or another type of persistent grass it is recommended a topical grass treatment is applied and to wait at least 48 hours before continuing with installation.
3. After removing the sod, rake the dirt to remove any small rocks, stones, roots, sticks or other debris that could cause damage or tear the pool liner.

(Diagram X-1)



(Diagram X-2)



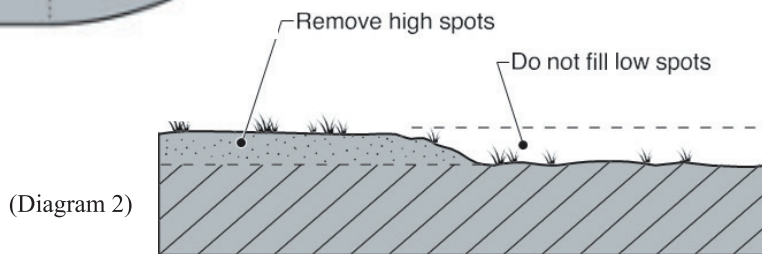
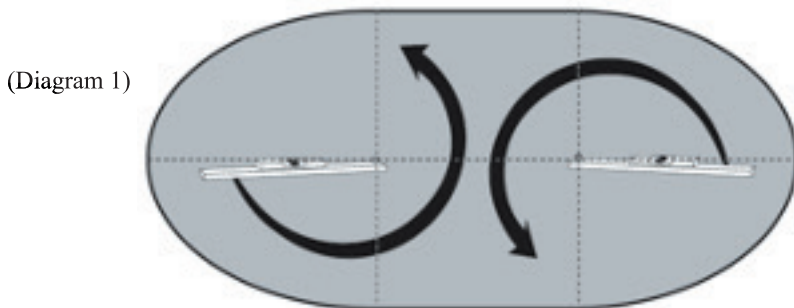
LEVELING THE AREA

WARNING!

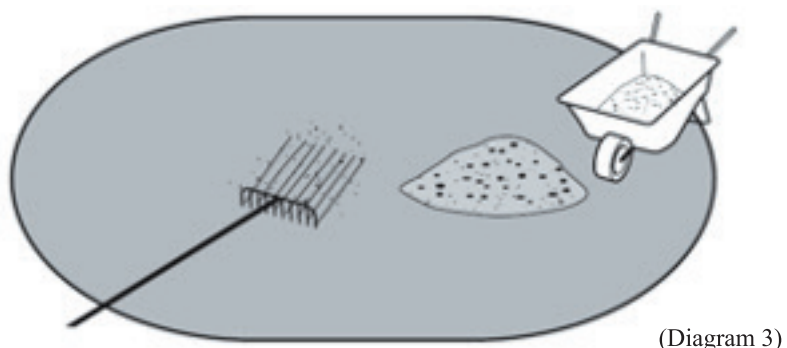
Leveling is extremely important: take as much time as necessary to ensure the pool site is completely firm and leveled.

- **WARNING:** The pool contains thousands of gallons of water. Should the pool collapse due to unlevel ground, it could cause significant property damage and even result in injury or death.
- Use a carpenter's level and straight edge 14-ft long, 2-in x 4-in board to ensure that the site is completely level! (see diagram 1)
- Remove the higher ground rather than filling the low laying ground (see diagram 2).
- **ATTENTION:** Always remove rocks, stones, sticks, grass roots, and other debris from within the marked pool area.
- Once the pool site is completely leveled, debris removed and ground smoothed, place a layer of sifted dirt or masonry sand that completely covers the pool site (see diagram 3).

If a sand cove is being used (see diagrams 17 and 18) reserve some of the sifted dirt or brick layer's sand in the center of the pool site for this step.

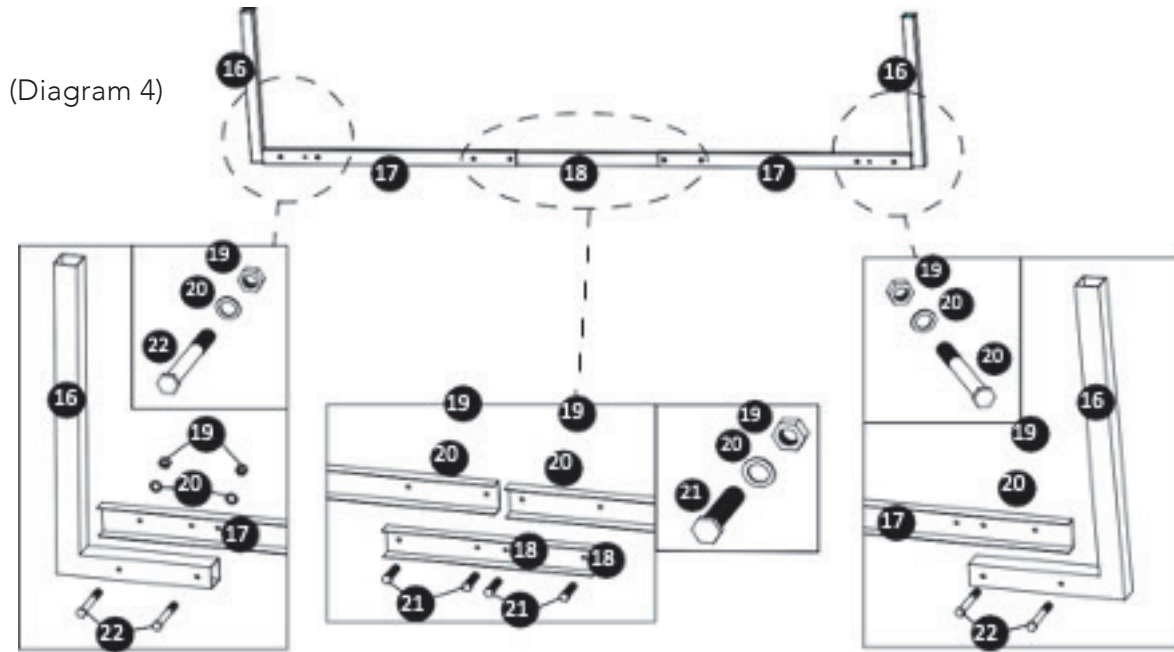


Spread a light layer of fine brick layer's sand or sifted dirt over the foundation area. Level this layer carefully.



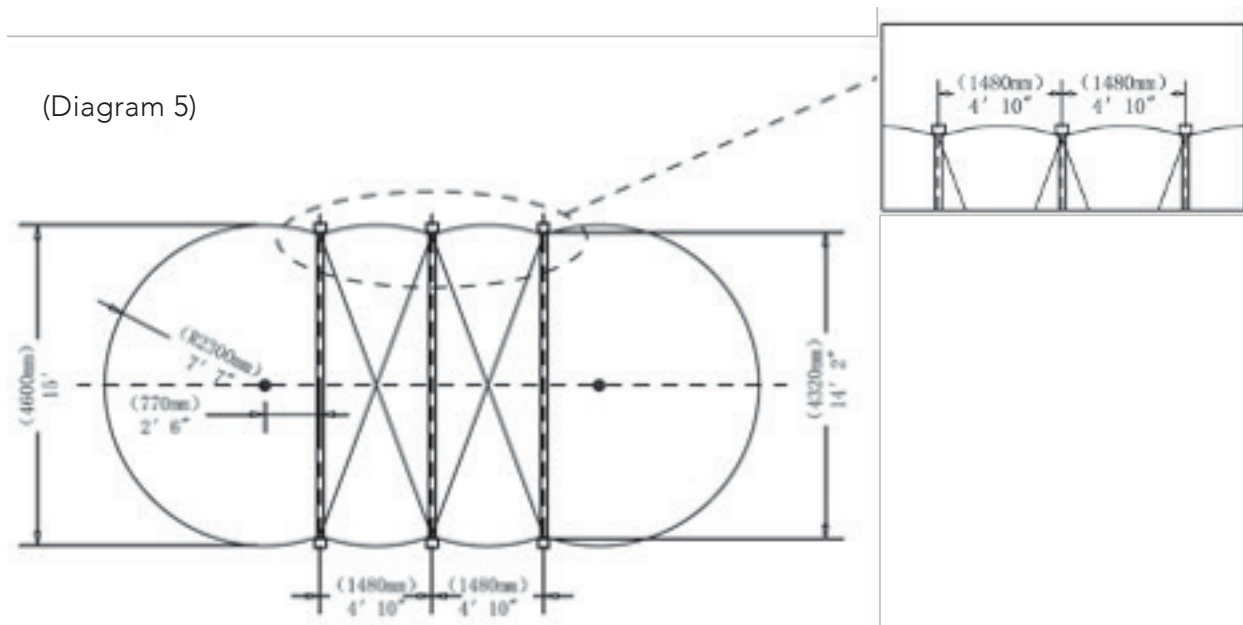
POOL FRAME ASSEMBLY

- Follow the parts list and match against diagram 4.
- Work off to the side of the pool site to connect the L support, fixing plate, and connection plate as shown in diagram, using the nut, washer, and bolt provided. This will prevent you from disturbing the pool site ground preparation.



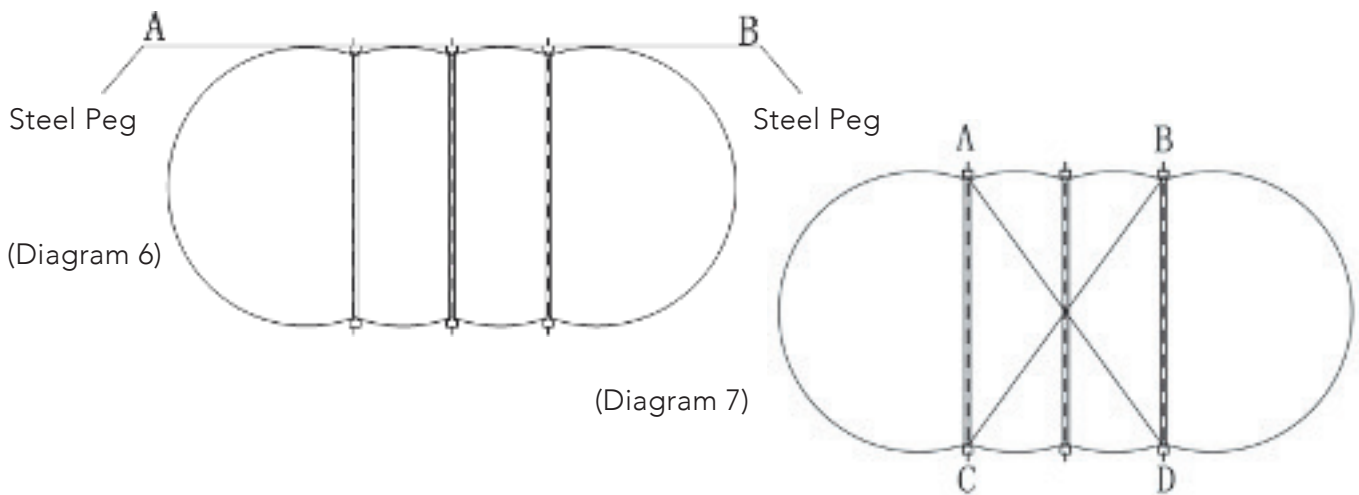
- Once all frames have been correctly assembled, and the nuts and bolts have been tightened, position the assembled frames on the pool site.
- Place the first assembled frame upright across the width of the pool at a point 10' (3070mm) from the end of the cleared area.
- Place the remaining assembled frames at a point 4-ft 10-in (1480-mm) from the center line of the adjacent assembled frame (see diagram 5).

Note: 4-ft 10-in (1480-mm) measurements are taken from the center of the L supports.

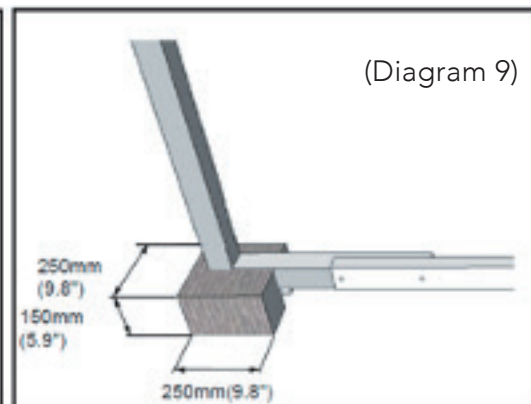
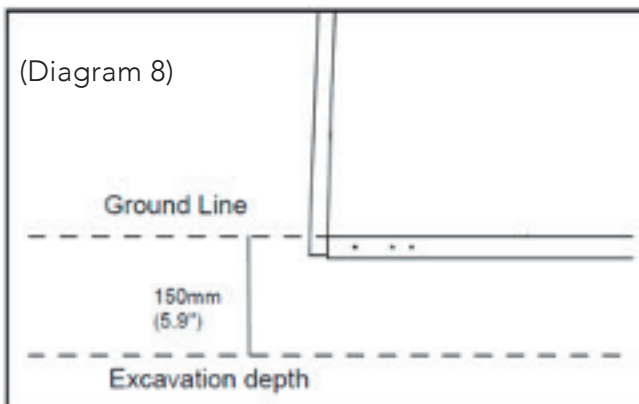


POOL FRAME ASSEMBLY continued

- To check the alignment of the assembled frames, hold a string along the back of the assembled frames (the back of the L support) about 7-in - 8-in (200-mm) above the ground between two steel pegs, position A and B (see diagram 6).
- If the L supports are not correctly aligned, they need to be adjusted back or forward until the back of each L support is correctly aligned with the string line. Do this for both sides of the pool frame.
- Once the frame alignment is correct, check the diagonal measurements of the pool frame. Measure the two intersecting axis to ensure that the two straight sections are parallel.
- The measurements of the points A to D and B to C must be equal (see diagram 7).

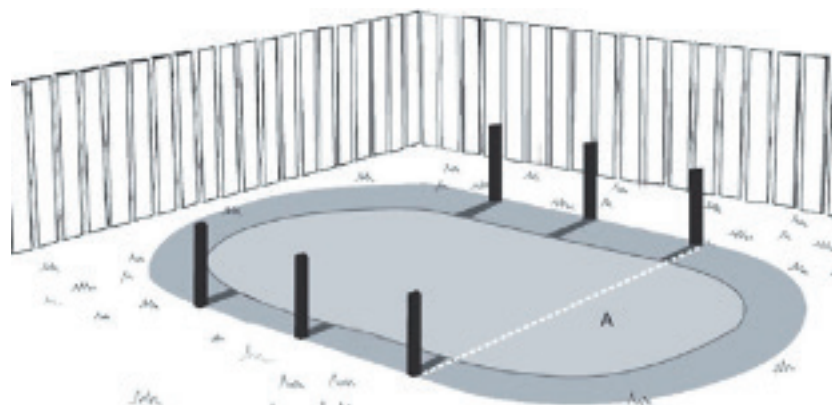


- When all the assembled frames components are in the correct position, spray paint a line on either side of each assembled frame assembly all the way across the pool. This is to mark out the areas to be excavated. When these areas have been marked out, the assembled frames can be removed from the site.
- The marked areas should be excavated to a depth of 5.9-in x 5.9-in (150-mm x 150-mm) wide across the pool from one side to the other with a length 9.8-in (250-mm) x width 9.8-in (250-mm) x depth 9.8-in (150-mm) excavation at each end for the positioning of the pre-cast concrete blocks or mixed concrete pads (see diagram 8 and 9).



CONCRETE PADS AND ASSEMBLED FRAME

- **IMPORTANT:** The use of pre-cast concrete blocks or mixed cement at each end of the assembled frame is critical as it distributes the load carried by the frames evenly into the soil. Not creating concrete pads will result in the frame sinking into the ground or sliding out of alignment and disturbing the level of your pool.
 - **DO NOT** use house bricks or patio blocks for this step.
 - **NOTE:** If you are using mixed cement instead of pre-cast concrete blocks, the cement mix is put in place after the assembled frames have been positioned aligned and leveled.
 - Position the assembled frames back in to the excavated areas (see diagram 10B).
 - Using the existing string lines, ensure the L supports are perfectly aligned, if not, make the necessary adjustments. Care must be taken to ensure the measurements between the center of each L support. It is advisable to hold the posts into position using steel pegs. Install the frames in such a way that no horizontal part of the L Support is situated higher than the surrounding ground level.
 - **THE LEVELING OF THE ASSEMBLED FRAME IS AN IMPORTANT EXERCISE THAT MUST BE DONE PRECISELY AND REPEATEDLY UNTIL CORRECT.**
 - When all the assembled frames have been positioned and leveled, recheck and ensure that the back of the L supports are all in line and the diagonal measurements of the assembled frames are all correct and equal.
 - Before proceeding, check the measurements for the width of the pool between the inside of the assembled frames. They should be as per the table below. The width measurements A can have a variance of + or - 0.25" (5mm) (see diagram 10A).
 - If all of the measurements and levels are correct and you are using mixed cement for your concrete pads, pour the mixed cement around the ends of the 6 L supports creating your concrete pad. Allow the new concrete to harden before moving to the next assembly step.
 - If you used pre-cast concrete blocks or your mixed cement concrete is hard you will now back fill over all of the horizontal sections of the pool frame.
 - You must take extra care to pack down the backfill material (see diagram 10C).
 - When positioning the L supports for your pool, it is important that the supports are maintain in a perpendicular position while the excavation is being back filled and packed down.
 - A simple and effective way to achieve this is to drive steel fence posts into the ground behind the vertical of the L supports, then temporarily attach the L supports to the fence post with duct tape. This will hold the post vertical while the cement and backfill is put into place (see diagram 10C).
- NOTE:** The top of the horizontal leg of the L supports must be level with the ground.



(Diagram 10A)

CONCRETE PADS AND ASSEMBLED FRAME



(Diagram 10B)

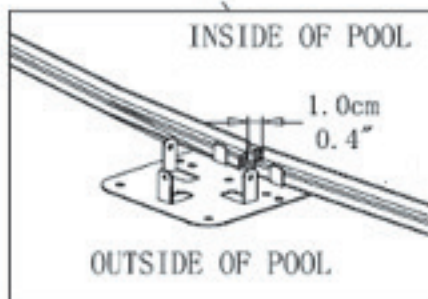
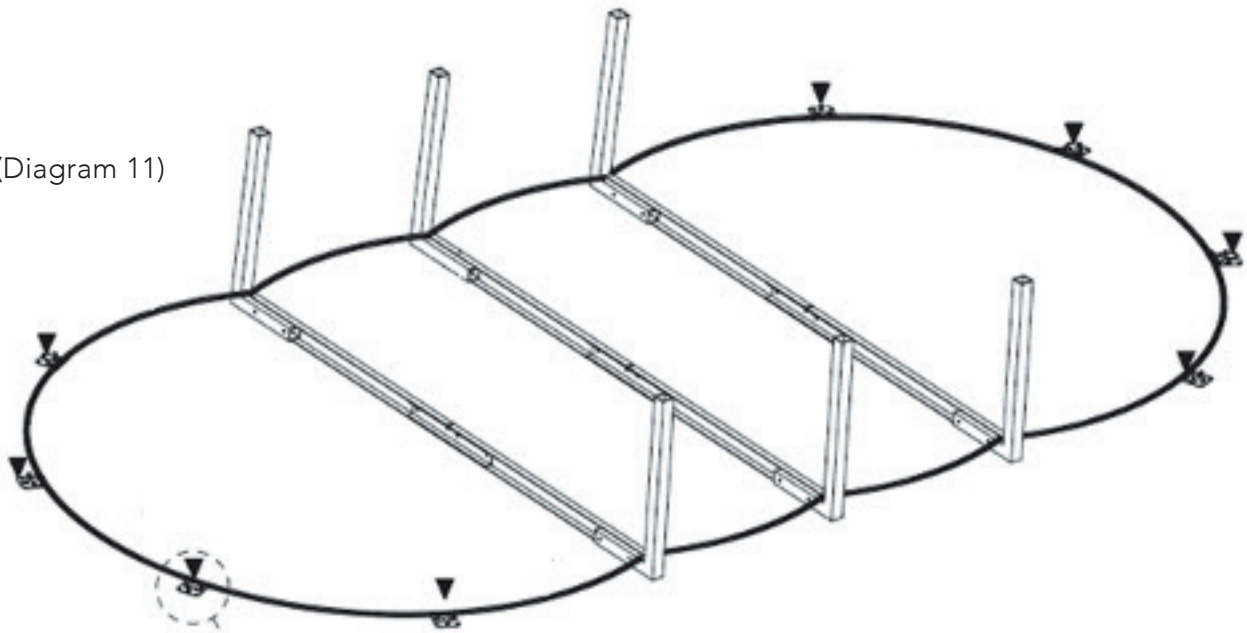


(Diagram 10C)

ASSEMBLING THE POOL RAIL

- **IMPORTANT:** Leave about 0.4-inch (1 cm) gap between the 2 ends of the Bottom Rail.
- Place the metal foot plates equally around the curved ends of the pool (see diagram 11).
- Slide the resin bottom rail into the metal foot plate (see diagram 12). Repeat this process for all bottom rails.
- It is recommended that a 2-in patio block is place under each foot plate. The patio blocks must be dug into the dirt so the bottom rails and foot plates lay flush on the ground.
- Make fine adjustment to the bottom rail's diameter.
- When all the rails are slid into the metal plates, each end should form approximately one half of a complete circle.
- Check your positioning and dimensions against those shown in diagrams X-1 and X-2 in the Pool Set up section. Shorten or lengthen the gap distance between the 2 ends of bottom rails as necessary to make the wall fit properly.

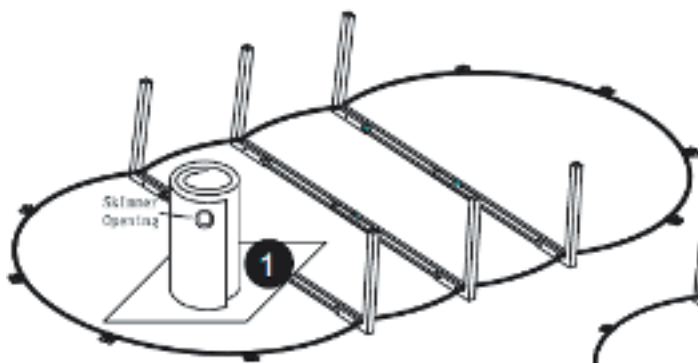
(Diagram 11)



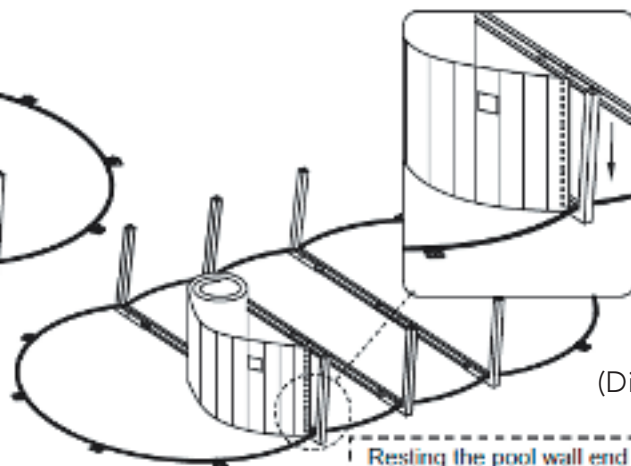
(Diagram 12)

INSTALLING THE POOL WALL

- **DO NOT ATTEMPT WALL INSTALLATION ON A WINDY DAY!**
- **CAUTION:** It is advisable to wear protective gloves when handling the metal wall.
- **CAUTION:** Have 2 or 3 additional people for the installation of the pool wall into the bottom rail. This is necessary to hold the pool wall upright until the wall ends are connected and the bolts have been inserted in the bolt holes.
- **HELPFUL HINT:** Use tent stakes, string, and "S" hooks stretched out from several points around the pool to hold up the wall until the liner installation is complete and the pool is partially filled with water.
- Put the pool wall on a 4-ft x 4-ft plywood board (see diagram 13). This is to protect the leveled ground while installation of the wall is taking place. Make sure the square window (skimmer opening) is on the upward side.

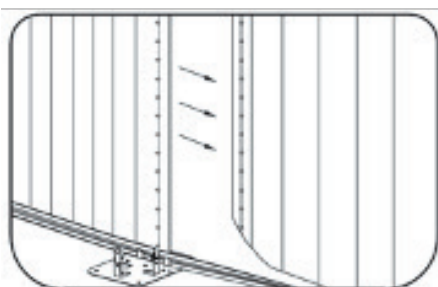


(Diagram 13)

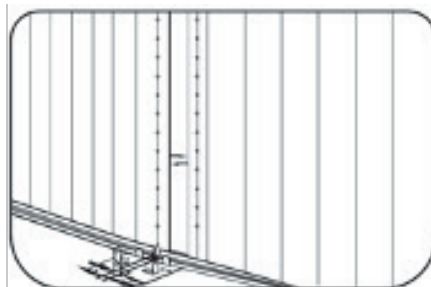


(Diagram 14)

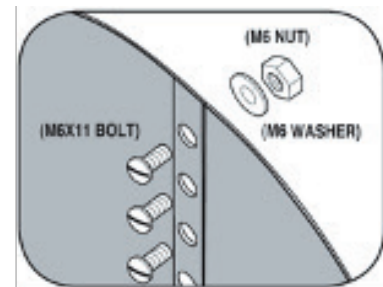
- Before unrolling the wall into the bottom rail, decide where the skimmer and filtration system will be placed (see special note in diagram 14). The opening end of the pool wall closest to the square skimmer opening should be placed on the closest metal plate that has been for the electric supply of the filtration system. The pool wall end should be resting in the center of the metal plate (see diagram 14). Make sure that this location is not in a windward position. Skimmer opening must be at the top of the wall.
- Carefully uncoil the pool wall into the round rail. Join the 2 ends of the pool wall together. Line up the bolt holes and attach the bolts, washers and nuts but do not fully tighten. (see diagrams 15, 16 and 17).
- **NOTE:** Some larger size pools have a double row of wall bolts. See the parts list. Place the bolt heads through the inside of the pool. Washers and nuts should be on the outside of the pool wall. (see diagram 17). Only hand-tighten the bolts at this point.



(Diagram 15)



(Diagram 16)

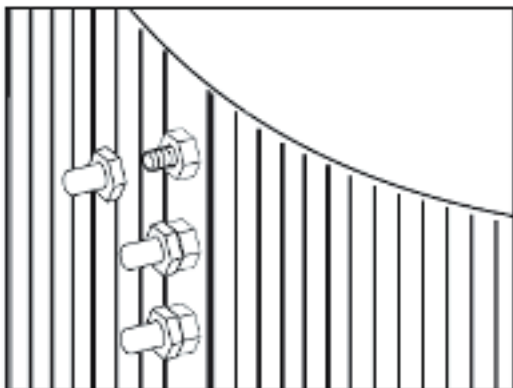
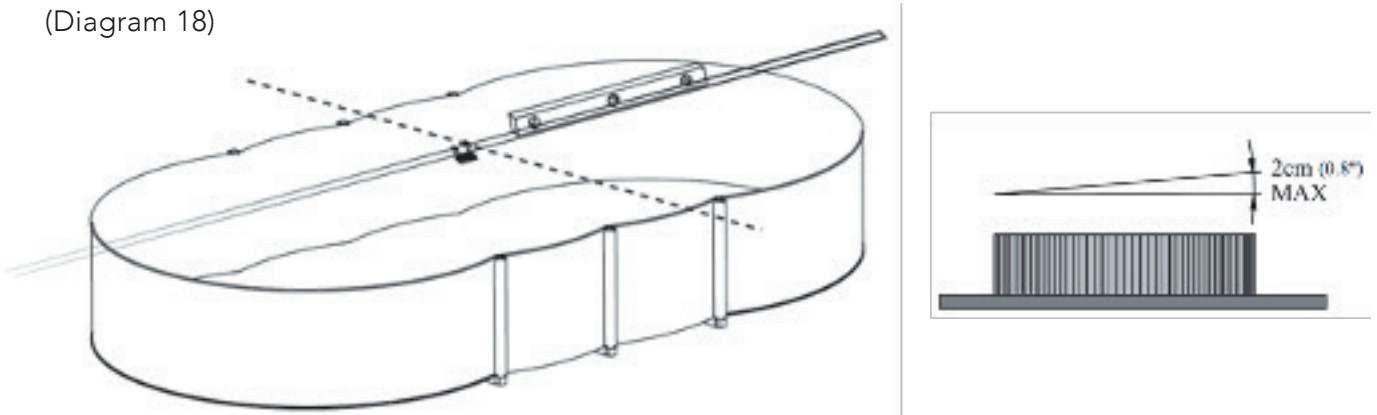


(Diagram 17)

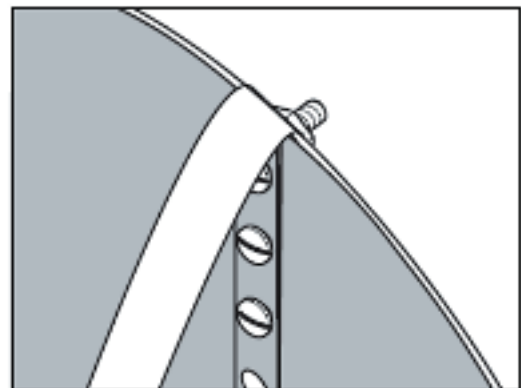
MEASURING THE LEVEL AND SHAPE OF THE POOL WALL

- **WARNING:** A pool that is not level is very dangerous and may collapse at any time.
- Check the pool wall level by placing a 2-in x 4-in board or similar across the diameter of the pool wall and placing a level on the top of the board. A string level may also be used for this step (see diagram 18). If the pool is not level then remove the pool wall, dismantle the pool frame, and re-level the ground site. Also, check if the ends of the pool wall are properly curved. Measure across a few spots to ensure that the distance, radius of each end, and width are all within 0.8-in (2-cm).
- **CAUTION:** Try not to damage any of the components if disassembling the pool wall to correct the ground level.
- Once the measurements and levels are correct, and all nuts and bolts are tightened, cover the exposed bolt heads with the self-adhesive tape (see diagram 19 and 20). This step is necessary to prevent damage to the liner from the bolt heads.
- **WARNING:** Tighten the wall bolts using a screwdriver and wrench by hand to ensure a tight wall joint connection. **NEVER** use a power screwdriver or power drill for this step. Loose wall bolts may cause the pool to collapse and is not covered by the warranty.

(Diagram 18)



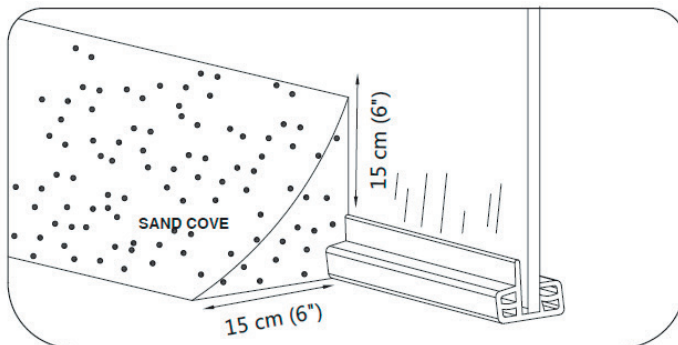
(Diagram 19)



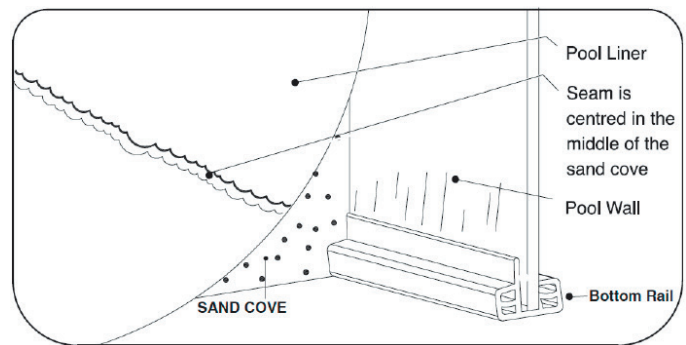
(Diagram 20)

PROTECTIVE SAND CUSHION

Making a Protective Sand Cushion at the Foot of the Inner Pool Wall



(Diagram 21)



(Diagram 22)

ATTENTION: THIS IS A CRITICAL STEP THAT WILL PREVENT THE LINER FROM BEING FORCED OUT UNDER THE WALL, TEARING, AND RELEASING THOUSANDS OF GALLONS OF WATER INTO THE YARD. AVOIDING THIS STEP WILL VOID THE POOL WARRANTY.

- To protect the liner against the sharp edges of the bottom rail and pool wall, it is necessary to build a protective cove made of moist sifted dirt or fine brick layer's sand at the base of the pool wall (see diagram 21 and 22). The size should be 6-in H x 6-in W so that it completely seals the bottom rail but does not distort the pool liner.
- When the cove is complete, re-smooth the rest of the pool's dirt floor. Follow the manufacturer's installation instructions if a manufactured cove is being used.
- Now that the wall is installed, the cove is created, and the dirt floor is smooth, it is time to install the liner. The following general instructions apply for a typical overlap pool liner.

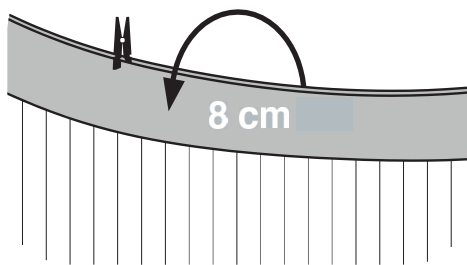
INSTALLING THE POOL LINER

These instructions only apply to overlap liner installation. Follow the liner manufacturer's instructions for other style liners.

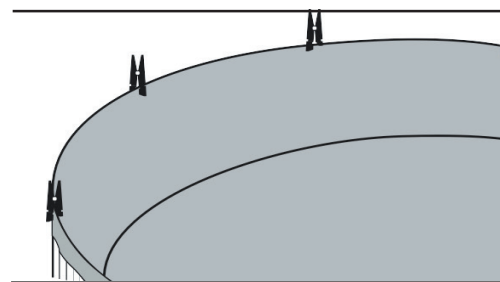
IMPORTANT: Only attempt to install the liner on a warm and sunny day, preferably above 72 °F (22° C). Unfold the liner and put it in the sun for 2 hours. This helps to soften the liner. If the temperature is below 60° F (16° C), the liner will be hard and rigid and quite difficult to handle.

CAUTION: Have 2 or 3 helpers for the following liner installation steps.

- Carefully place the liner inside the pool at the center of the pool floor. Do not disturb the smoothed dirt floor. Extend it evenly until the seam between the wall and floor panels reaches the base of the pool in the center of the protective cove. Smooth out any wrinkles in the liner (see diagram 26). Straighten the liner wall seam and so it is perpendicular to the ground.
- Drape the pool liner over the pool wall. There should be an overlap of about 3-in (8-cm) over the pool wall height (see diagram 23 and 24). Temporarily hold the overlap in place with clothes pins.

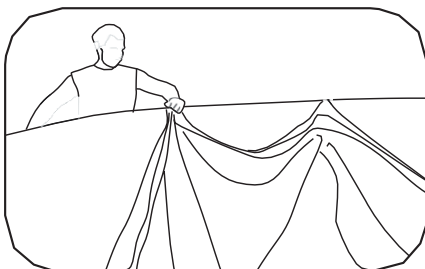


(Diagram 23)

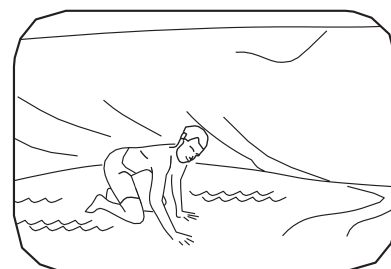


(Diagram 24)

- Confirm the pool liner is placed evenly inside the wall (see diagram 25). If the liner is tight, stretch it to fit smoothly on the inside of the wall. If the liner placement fails, it may not be centered properly in the pool.
- Check if the overlap is uniform. The pool liner should only be touching the pool floor in the center of the pool. If it's not, pull up an additional 3-in of the liner over the wall and re-pin with the clothes pins.
- Start filling the pool and continue until there is about 1-ft of water in the pool. As the water stretches the liner down to the pool floor and against the pool wall, release some of the excess overlap material. Before proceeding further, recheck to see if the water is level, if not, something is wrong, and the liner and the pool wall will need to be removed to re-level the pool area.



(Diagram 25)

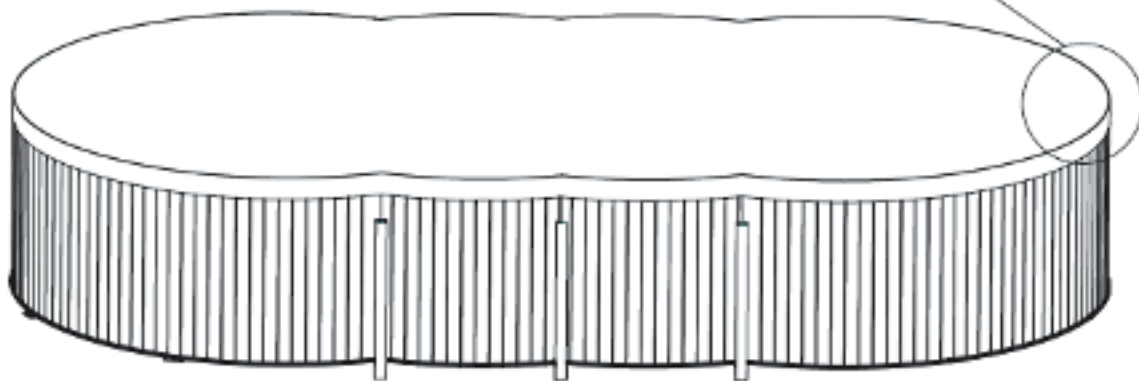
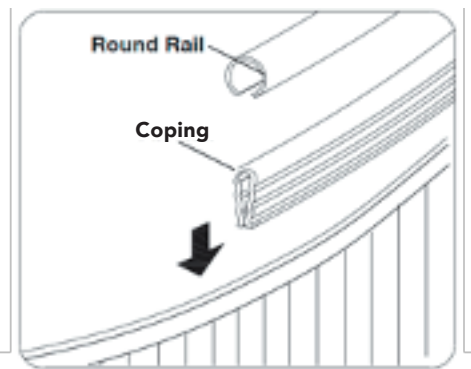


(Diagram 26)

INSTALLING THE POOL LINER continued

- Remove the clothes pins one at a time while applying the fix rail coping and the round top rails (see diagram 27). Slide the rail connectors into one end of the top rail, then connect another top rail and continue around the circle until all top rails are joined together. Trim any excess off the last top rail then make the final connection.
- Fix all round rails and copings to the top of the pool wall and make sure they are sitting properly.

(Diagram 27)

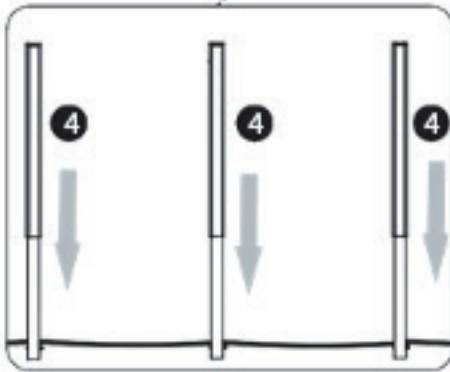


ASSEMBLY OF THE RESIN VERTICAL SUPPORTS

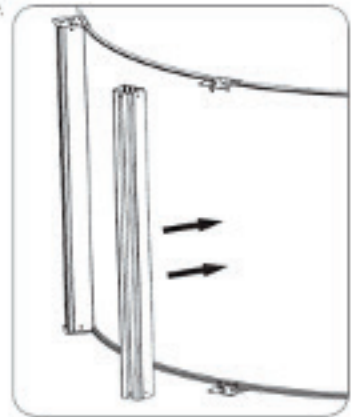
- Line up all the screw holes for the resin vertical supports. The first resin vertical support should be placed over the joint in the pool wall. Fix resin vertical supports onto the metal plates. Line up the screw holes and check if the vertical sections are in line. Once all resin vertical supports are in place and straight, fix the resin vertical supports with screws provided (see diagram 28-A & B, 29 and 30-A & B).



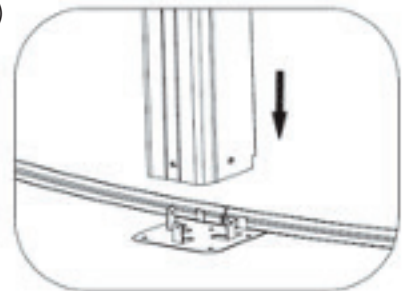
(Diagram 28A)



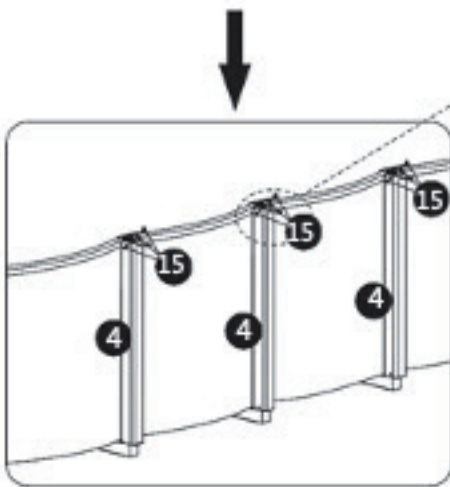
(Diagram 28B)



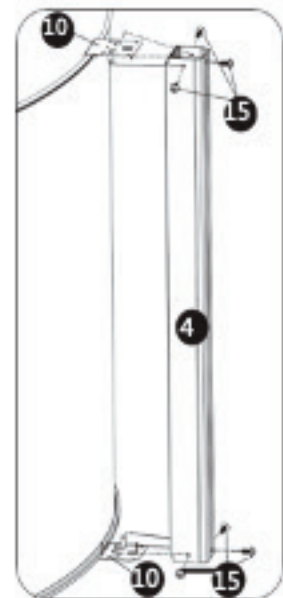
(Diagram 29)



(Diagram 30A)



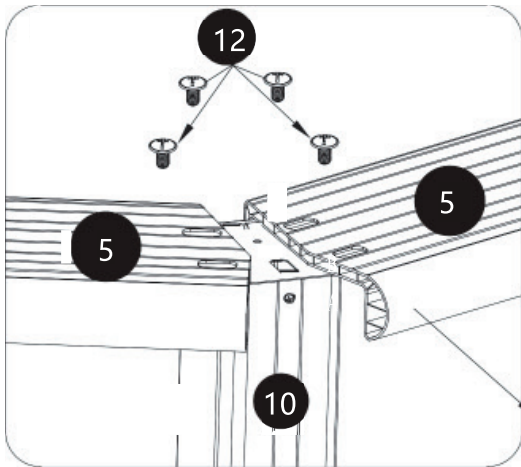
(Diagram 30B)



- Hook the metal top plate over the top rail making sure it is lined up directly above the corresponding metal foot plate for the curved ends of the pool (see diagram 30A).
- Align the curved end vertical supports and attach to the metal top and foot plates using the bolts provided.

ASSEMBLY OF THE RESIN TOP PLATFORMS

- Place a resin top platform over a metal plate and attach using four bolts, continue this process until all the resin top platforms are attached to all the metal plates at the top (see diagram 31)
- Check the alignment, but do not tighten.



(Diagram 31)

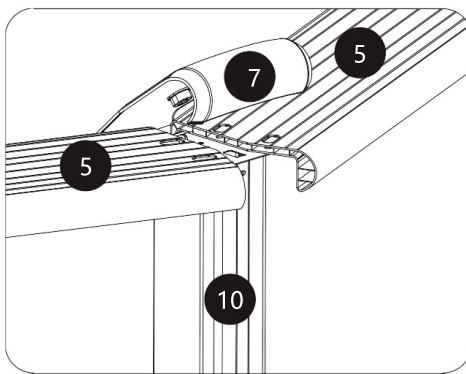
Make sure that the resin top platform is placed with the curved edge outside the pool.

- Adjust the distance between the two metal plates if necessary to accommodate the top platforms. Once the platforms are in position, line up the screw holes and lightly fasten with the bolts provided.

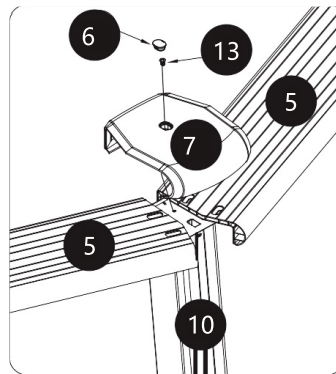
CAUTION: Fix all resin top platforms to the metal plate at the top and make sure they are all sitting properly before finally tightening the screws.

ASSEMBLY OF THE JOINT PROTECTORS

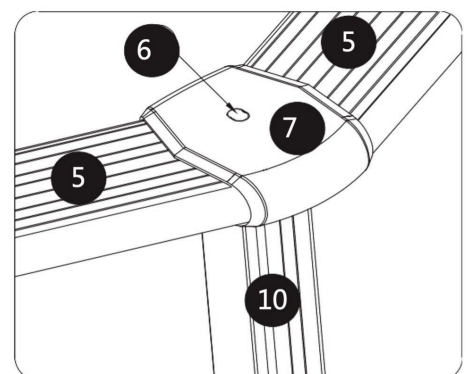
- The joint protectors are for covering and protecting the edges of the resin top platform. Hook the joint protector over the inside edge of the resin top platforms and gently pull to fasten the cover to the outside edge. Fix with the screws provided (see diagrams 32, 33, and 34).



(Diagram 32)



(Diagram 33)

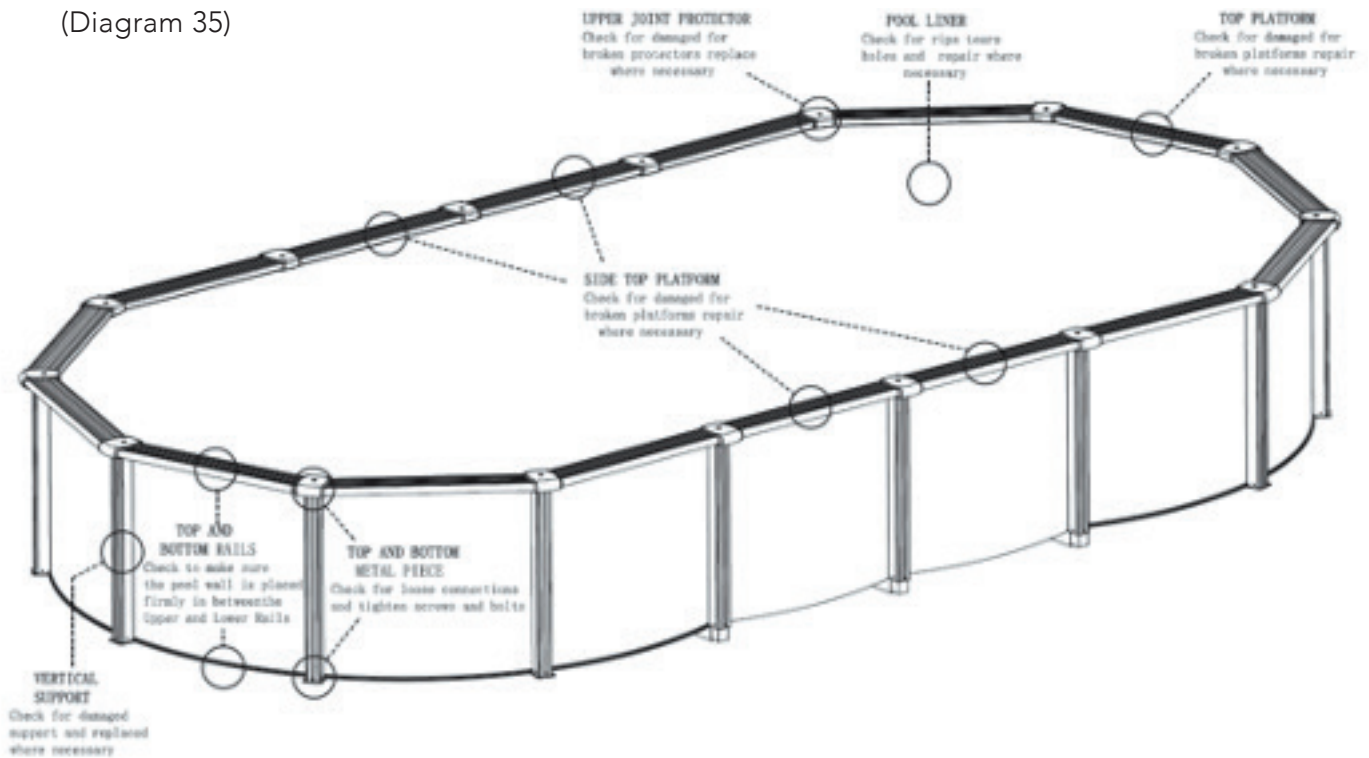


(Diagram 34)

CHECKING ALL CONNECTIONS AND JOINTS

- Once completed, check all connections and tighten loose screws and bolts, but do not over tighten.
- See diagram 35 for identification of pool components.

(Diagram 35)



INSTALLING THE SKIMMER

- For protection and safety, all edges of the skimmer and return fitting windows must be covered by vinyl tape or rust proofing paint.
- Follow the skimmer manufacturer's instructions for skimmer installation.

INSTALLATION OF THE FILTRATION SYSTEM

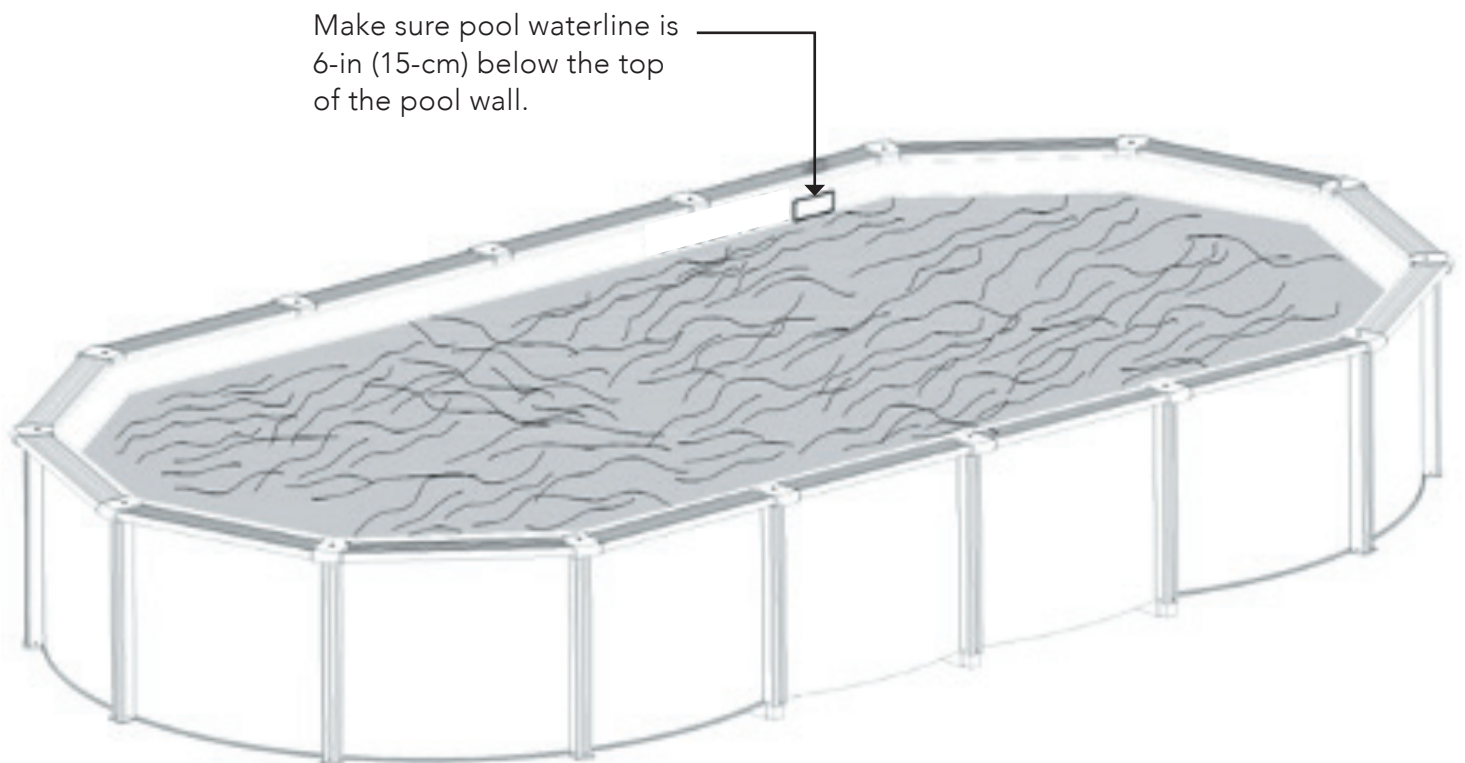
ATTENTION: FOLLOW ALL SAFETY WARNINGS INCLUDED IN FILTRATION SYSTEM INSTALLATION MANUAL.

- Follow the manufacturer's instructions for installation of the filtration system. Once all of the hoses are attached to the skimmer and return fitting, finish filling the pool.

FILLING THE POOL WITH WATER

- Before filling the pool with water, thoroughly check to see if there are any loose screws not tightened during the pool frame installation process. Also, check for holes or tears in the liner.
- Fill the pool until the water is halfway up the skimmer opening or a minimum of 6-in (15-cm) from the top of the pool wall (see diagram 36). This will ensure water is entering the skimmer opening and flowing into the filter system.

SAFETY WARNING! To avoid pool collapse, never leave the pool empty without water! The warranty does not cover damage to an empty pool.



(Diagram 36)

SAFETY WARNINGS

- Install all safety warning decals and signs included with the pool.
- The filter pump must be turned off when there are swimmers in the pool!

WARNING DECALS

TOP LEDGE DECALS: Round pools require three (3) of these. They should be placed along the top ledge of the pool so that they need to be applied to the center of the top ledge. Make sure

WARNING SIGNS

DANGER SIGN: You must install the danger sign near



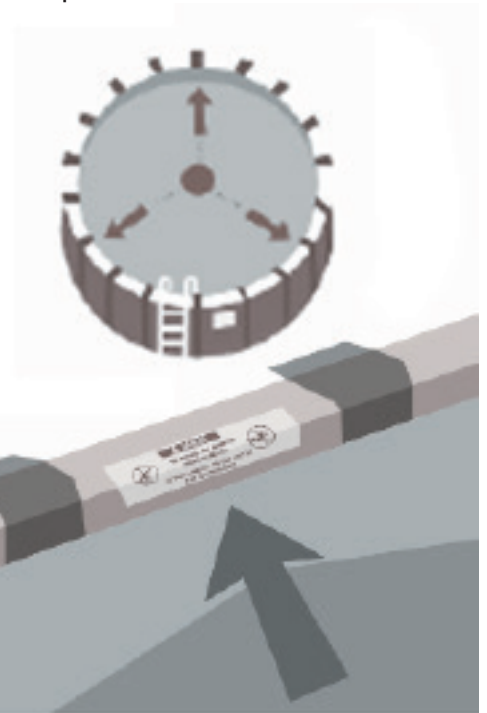
your pool ladder or the stairs up to the pool deck (see diagram 38).



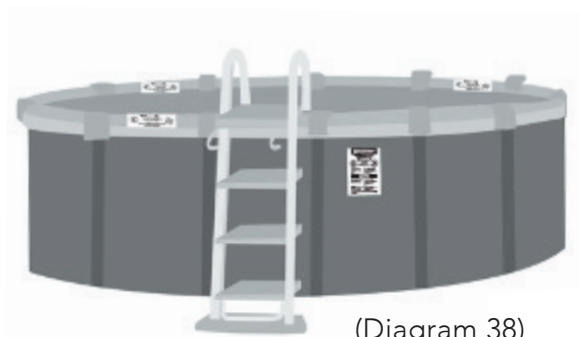
CPR SIGN: Should be installed in an obvious location that can be seen from the house door or fence gate closest to the pool.

TO ATTACH THE DECALS AND SIGNS:

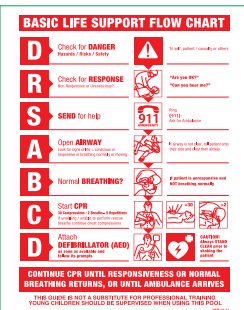
1. Peel the paper from the back of each decal or sign. Position as indicated in the images to the right.
2. Press the decal or sign firmly against the top ledge or wall making sure to not wrinkle the decal or sign.
3. Press out any bubbles, making sure decal or sign is firmly attached. Repeat process until all decals and signs have been applied.



(Diagram 37)



(Diagram 38)



THESE WARNING DECALS & SIGNS ARE NOT TO BE REMOVED OR COVERED UNDER ANY CIRCUMSTANCES!

PLEASE NOTE:

ALL LADDERS AND LINERS CONTAIN WARNING DECALS AS WELL. THESE MUST BE INSTALLED PER THE MANUFACTURER'S INSTRUCTIONS.

POOL MAINTENANCE

1. Keep the pool clean and maintain proper water chemistry by applying the correct pool chemicals. Unsanitary water is a serious health hazard.
2. Maintain pool pH level between 7.2 to 7.6.
3. Carefully follow the installation and other instructions in the filtration system manual.
4. Clean the liner regularly with non-abrasive brushes or an approved vacuum system.
5. Run filtration system at least one full day before using the pool. Allow enough time to ensure the pool water is completely filtered and sanitized before swimming.
6. For 52-in pools, make sure the water level is at least 6-in (15-cm) from the top or halfway up the skimmer opening before running the filter.

SAVANNAH POOL WARRANTY

Warranties for the skimmer, ladder, liner, and filter system are found in their respective installation manuals.

Thirty-Year Prorated Limited Warranty

IMPORTANT

Carefully read and apply all safety warnings, cautions, and instructions detailed in the installation manual and the safety and warning package that came with the pool. The do not jump or dive decals and signs must be installed on the pool. Do not use slides, diving boards, or any other platforms for improper pool entry. Secure the pool to prevent unintended entry. Always supervise children around or in the pool.

MANUFACTURER'S STATEMENT

All swimming pool components have been manufactured to the highest industry standards, specifications and workmanship.

Each component has passed quality testing to ensure it will perform properly as part of your swimming pool. This warranty applies and protects the pool owner from manufacturing or workmanship defects only.

TERMS AND CONDITIONS OF THE WARRANTY

This warranty applies if the following conditions have been met:

- This warranty only applies to original (consumer) purchaser and is non-transferable.
- This warranty only covers the structure of the pool (wall and frame components).
- There are separate warranties for the skimmer, ladder, liner, filter system, and other accessories.
- The pool structure must be installed following the manufacturer's instructions.
- The pool must be used for the intended recreational purposes only.
- All transportation costs for components replaced under warranty are the responsibility of the pool owner.
- Pool components being returned under a warranty claim must be cleaned and safely packaged.
- Any labor to remove or reinstall a covered pool component is the responsibility of the purchaser (original pool owner).
- The warranty proration requirements have been met.

LIMITATIONS OF THE WARRANTY

This warranty does not cover the following:

- Damage to any component of the pool other than the actual frame and wall components.
- Replacement labor, cost of water, chemicals, or other installation materials.
- Damage to persons or property other than the pool frame and wall.
- Damage due to acts of nature, winter ice movement, animals, fire, or vandalism.
- Damage due to improper use or maintenance.
- Damage due to any modifications to the wall or frame structure of the pool.
- Damage due to chemical use or water leaks.
- Damage due to external circumstances like yard sprinklers, flooding, or other environmental situations.
- Damage due to the installation and use of a salt chlorine system.
- Damage due to improper installation or leaking of a thru-wall skimmer, return water fitting, or other opening in the pool wall.
- Damage due to normal wear and tear during expected life of the pool.
- Damage due to installation other than completely above ground. This pool may not be installed partially or completely below ground.

SAVANNAH POOL WARRANTY continued

LENGTH AND PRORATION TERMS OF THIS WARRANTY:

The following 30-year warranty conditions and proration terms apply:

- The pool owner is responsible for all transportation costs related to warranty claims.
- During the proration period the owner is responsible for payment of the indicated percentage of the suggested retail price of the covered component.
- There will be a 10% handling and service charge on the list price applied to all components ordered.
- The warranty and proration years start with the date of purchase or pool installation and ends on December 31st of that year. A pool installed in June is in year 1 of the warranty until December 31st of that year. The following January 1st starts year 2 of the warranty period. The same dating applies throughout the prorated warranty years.
- Warranty and Proration schedule for SAVANNAH pool wall and frame:

Total Years	Full/Free	Prorated	Percent Paid by Owner
30 Years	3 Years	Year 4-Year 5	50% of List Price
		Year 6-Year 10	60% of List Price
		Year 11-Year 15	70% of List Price
		Year 16-Year 30	80% of List Price

WARRANTY VALIDATION AND PROCEDURE TO START A WARRANTY CLAIM:

- The pool warranty must be registered with the local retailer or Blue Wave® Products within 30 days of the date of purchase. The warranty registration form is located in your safety and warning package.
- All warranty claims must be submitted to Blue Wave® Products, 1745 Wallace Avenue, St. Charles, IL 60174
- At least 6 pictures showing the general pool installation including a picture of the skimmer and water return section of the pool wall, a wide-angle picture of the backyard, and 4 pictures of the defective component(s) must be submitted with the original claim.
- A clear copy of the proof of purchase must be submitted with the original warranty claim.
- This warranty gives specific legal rights. The original pool owner also has implied warranty rights. In the event of a dispute the pool owner may seek legal satisfaction in the appropriate court's jurisdiction.

CARE AND MAINTENANCE SUGGESTIONS FOR WARRANTIED POOL COMPONENTS:

- Never let the pool stand empty of water.
- Winterize the pool as instructed by a local swimming pool specialist.
- Skimmer and water return gaskets should be inspected annually and replaced as necessary to prevent damage caused by water leaking between the liner and the wall.
- Keep bushes, water sprinklers, and other sources of moisture away from the pool wall.
- Use cleaning appliances designed for vinyl liner pools only.
- Maintain proper chemical water balance.
- Refer to the pool installation manual for additional care and maintenance information or speak with a local pool specialist.