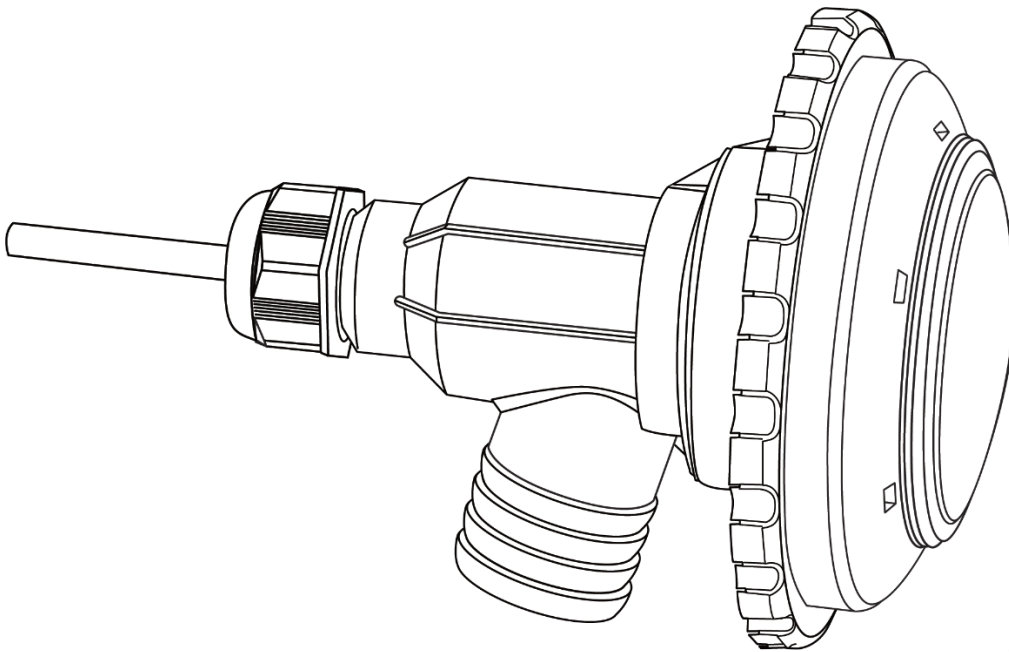




***This product is an add on option
for GEM-ABGRSK.**

**OWNERS MANUAL
ARI-360RL (360 Return Smart Light)**



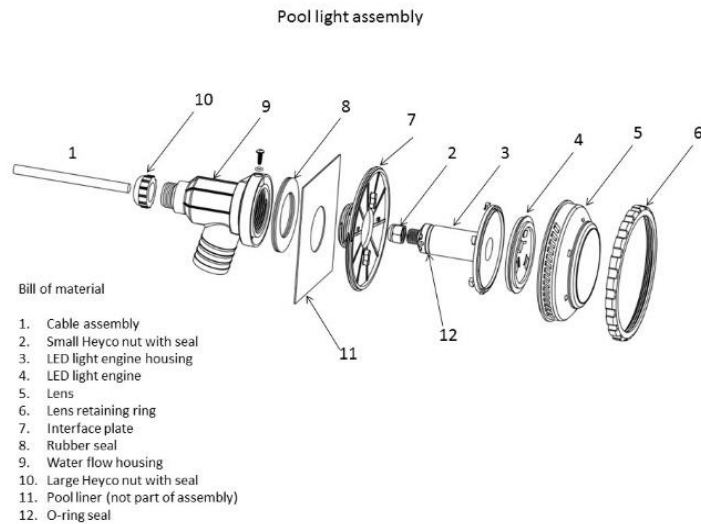
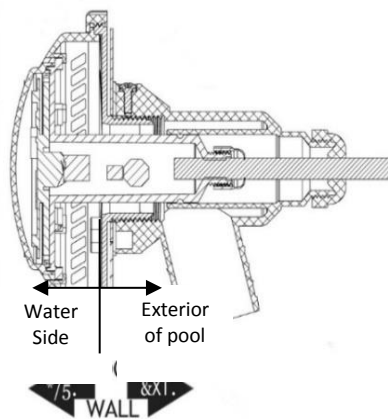
**Complies with UL 676
and CSA C22.2 No. 89**



**WARNING! THOROUGHLY READ ALL INSTRUCTIONS
BEFORE INSTALLING**

Above Ground Pool  Return Smart Light

- Install into your pool's existing return fitting.
- Adjust the water flow 360° to create the perfect vortex water flow
- 360° full water flow-greater agitation-will not restrict water flow



Specifications:

ARI-360RL	VOLTAGE (V)	FREQUENCY (HZ)	CURRENT (A)	WATTS (W)
INPUT	120	60	5	-
OUTPUT	24	60	0.8	12w Max

Tools Required



Large Adjustable Pliers



Standard Screwdriver



Phillips Head Screwdriver

Getting Started

- Remove the unit and test
- Download Smart Life-Smart Living App:



SPECIFICATIONS:

- 360° WiFi + BLE Return Smart RGBW LED Light.
- Output Voltage: DC 24V.
- Power: 12W.
- Power Adapter: DC 24V, 3A, 24W.
- 7.62 meters of cable/IP65 5-Pin connector.
- Lamp body material: ABS/Polycarbonate.
- Colour Temperature: RGBW.
- Complies with UL 676 and CSA C22.2 No. 89.
- Adjust the water flow 360° to create the perfect vortex water flow.
- 360° full water flow-greater agitation-will not restrict water flow.

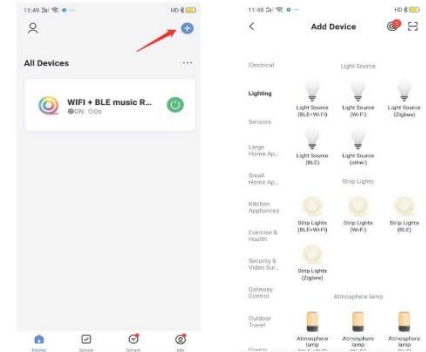
How to use it?

02. Download and APP registration

Download the "Smart Life" APP from the APP Store (for iOS) and Google Play Store (for Android) and register with the phone number/email/Social Media account:



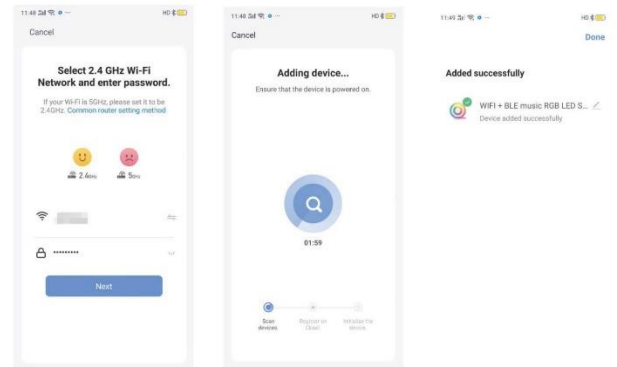
Step 1 . Connect the light with your Smartphone Open the "Smart Life" app - press the "Add" device in the upper right corner-select "Lighting" Device" - Select, then go to the Add device page.



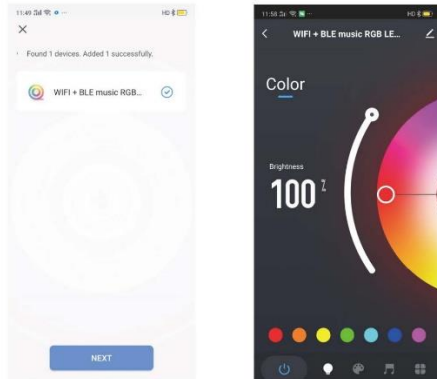
Step 2. Follow the instructions on the APP and let your device enter setup mode. If the light is blinking fast, skip the reset step

Note: There are two ways to reset the light

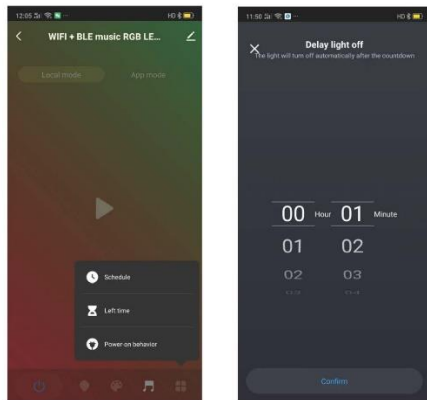
- 1. Power on
 - 2. Turn On-off(3-5sec.)-on-off(3-5sec.)-on-off(3-5sec.)-on-off(3-5sec.)-on-off(3-5sec.)-on-off(3-5sec.)(Repeat this step 5 times)
- ③ Ensure light is fast blinking)



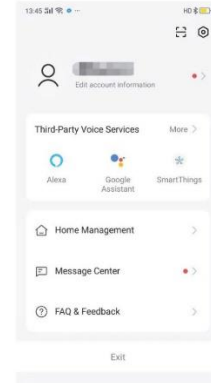
Step 3 . Confirm that the 360° Return Smart Light is flashing quickly-enter the WI-Fi password to connect with the light ,connection successful . Choose the light level, color, and scene you like.



Step 4 . You can set the "left time" program on the left to turn off the light, and set the program on the right to set the opening and closing time of the 360° Return Smart Light, to enjoy your intelligent life.



Step 5 . Install 360° Return Smart Light controlled by Alexa / Google Home Click for more services---select featured---select third party access service--select "Amazon Alexa" or "Google Assistant" ---follow the instructions.




- Sync all NeuTerra Smart lights in your outdoor living space with unlimited color choices, lightshows or sync to your favorite music.
- Control lighting through your mobile enabled devices.

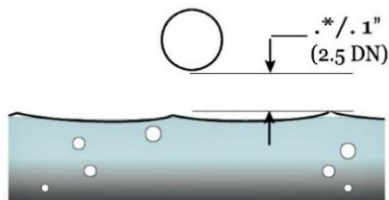



**Disassemble your new Return Smart Light for easy
“DIY- PLUG & PLAY” Installation/Winterizing**

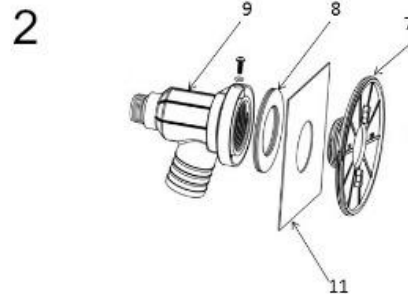
1. ***IMPORTANT**-unplug the WiFi + BLE Smart Controller/Power Adapter after initial test.
2. Turn the 5-pin quick disconnect counter clockwise to remove from the back of the light.
3. Turn the large nut (part#10) counter clockwise to remove. There is a large cut in the sela around the power cable, remove it and put to the side.
4. Turn the lens retainer ring (part#6) counter clockwise to remove.
5. Pull the lens (part#5) and cable with 5-pin quick disconnect through the water flow housing (part#9). The O-ring (part#12) might feel snug, but pull and it will come loose.
6. Turn the interface plate (part#7) counter clockwise to remove from the water flow housing (part#9).
7. Remove your standard return from your pool wall. The smart light replaces your standard return.
8. Place the Two (2) rubber seals (part#8) on both sides of the pool wall.
9. Thread the interface plate (part#7) into the water flow housing (part#9). Tighten to get a tight, even seal on the rubber seals (part#8) on both sides of the pool wall. Add the small O-ring and install with supplied screws to lock the interface plate (part#7) into the water flow housing (part#9).
10. Direct the 5-pin quick disconnect cable through the water flow housing (part#9). Make sure the lens (part#5) and interface plate (part#7) are snug against each other. Direct the lens (part#5) so the flow is away from the skimmer to create a vortex of water flow.
11. Hand tighten the lens retaining ring (part#6).
12. Hand tighten 5-pin quick disconnect to the back of the light body. Replace the seal on the cable and tighten the large nut (part#10) to the water flow housing (part#9).

Installation - easy “DIY- PLUG & PLAY”

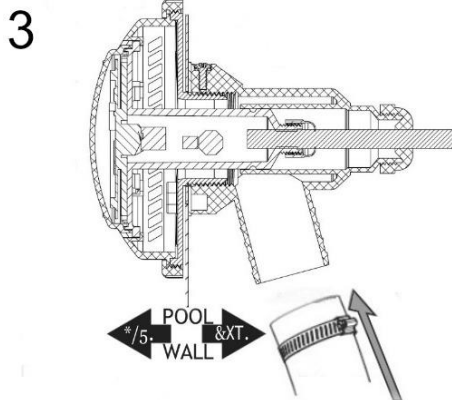
- Your  Return Smart Light fits the existing water return hole pre-punched by most aboveground pool manufacturers and can be installed on new or millions of existing pools.
- **IMPORTANT "Except when the luminaire is installed in an area of the swimming pool that is not used for swimming and the lens is adequately guarded to keep any person from contacting it, the luminaire shall be installed in or on a wall of the pool, with the top of the lens opening not less than 457 mm (18 inches) below the normal water level of the pool."**
- **IMPORTANT : Le luminaire doit être installé dans ou sur un mur de la piscine, le haut de la lentille s’ouvrant au moins 457 mm (18 pouces) sous le niveau normal de l’eau de la piscine, sauf si le luminaire est installé dans une zone de la piscine qui n’est pas utilisée pour nager et que la lentille est suffisamment protégée pour empêcher toute personne de la toucher.**



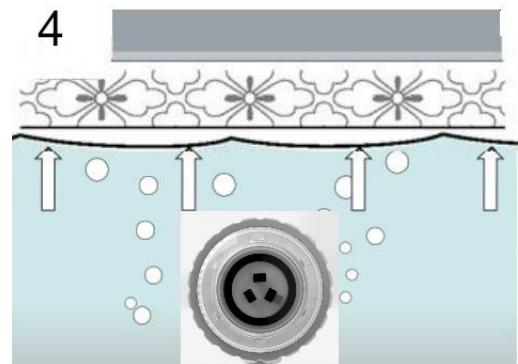
Remove inlet hose from inlet fitting. Completely remove the inlet fitting. At this point, the hole on your pool wall is ready for Return Light installation



Attach #9 Water Flow Housing-outside of the pool, place #8 Double Sided Rubber Seal on Return Hole and #11 Pool Liner (not part of assembly), on the inside of the pool thread #7 Interface Plate into the Water Flow Housing

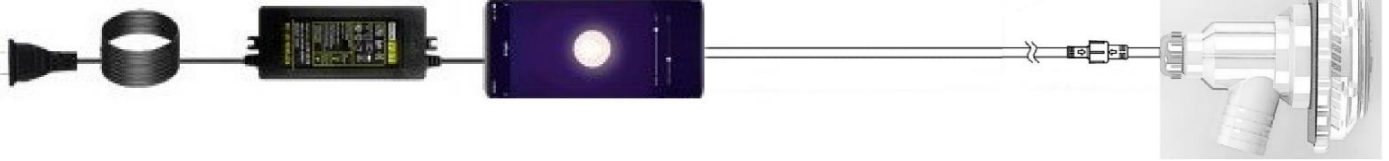


Connect your Water Return Hose



Raise the water level to the proper level for your pool.

5



- Connect the 5-Pin Quick Connect/Disconnect Connector to the 360 Return Smart Light. Install the WiFi + BLE Smart Controller/Power Adapter preferably sheltered from the elements. (Plug & Play).

Winterizing

To prevent damage to your 360° Return Smart Light you must remove certain parts of the assembly. Only the water flow housing (part#9), the interface housing (part#7) and the two rubber seals (part#8) will remain. Also ensure no water remains in the plastic housing that could freeze and cause housing damage

(See Bill of Materials for reference for item part# reference).

Spring Start-up

Apply silicone grease to your 360° Return Smart Light O-ring before reassembling.

Warranty

Your new NeuTerra ^{360°} Return Smart Light is warranted for a period of 36 months. The remote control and the 24V/DC power adapter are warranted for 12 months from date of purchase.

In order to activate this 36 months warranty, NeuTerra products must be registered with NeuTerra by the following method: Mail-in the Warranty Registration Card.

All defects must be announced within 72 hours failing which; the present warranty will not be honored. This warranty is nontransferable and extends only to the original retail buyer and only during the time in which the original retail buyer occupies the site where the product was originally installed.

This warranty applies to products used in swimming pools, spas, & aquaculture applications only and does not apply to any product which has been subjected to negligence, alteration, accident, abuse, misuse, improper installation, abrasives, corrosion, improper voltage supply, vandalism, civil disturbances, or acts of God (including but not limited to damage caused by freezing, lightning strikes, and other damage caused by catastrophic events). The only warranties authorized by NeuTerra are those set forth herein. NeuTerra does not authorize other persons to extend any warranties with respect to its products, nor will NeuTerra assume liability for any unauthorized warranties made in connection with the sale of its products. NeuTerra will not be responsible for any statements that are made or published, written or oral, which are misleading or inconsistent with the facts as published in the literature or specifications furnished by NeuTerra.

Warranty Claim Procedure

Warranty claims shall be made by contacting the installer/seller, builder, dealer, or retailer (point of purchase) or the NeuTerra pool products distributor in your area. All equipment must be inspected by a local NeuTerra authorized representative or at the factory before warranty is authorized. All charges or expenses for freight to and from the factory, removal and reinstallation of the products, or installation of a replacement product are the responsibility of the purchaser unless otherwise expressly authorized in writing by NeuTerra. NeuTerra, at its discretion, may repair or replace free of charge (F.O.B. 3641 Old Conejo Rd. Newbury Park CA 91320) any product that proves defective within the warranty period, or it may issue credit in the amount of the invoice of the defective product in lieu of its repair or replacement. NeuTerra reserves its right to substitute new or improved product on any replacements.

Thank you for your purchase and “Bringing the Party Outside!”



We hope you enjoy and tell your friends! For questions or additional product information, please visit our website at <http://www.neuterralighting.com/> or contact our Smart Lighting Team via info@neuterralighting.com

