

ABOVE GROUND ROUND POOL INSTRUCTIONS

ABOVE GROUND POOL SAFETY



WARNING

FAILURE TO HEED THESE WARNINGS CAN RESULT IN PERMANENT INJURY, PARALYSIS FROM A BROKEN NECK, ELECTROCUTION OR DROWNING. THIS POOL IS NOT DESIGNED FOR DIVING OR JUMPING! DANGEROUS INJURY CAN RESULT, SHALLOW WATER!

Your pool contains a large quantity of water, and is deep enough to present inherent dangers to life and health unless the following safety rules are strictly observed. First-time users run the highest risk of injury. Make sure everyone understands. To insure your pool is used safely you **must** observe the following safety precautions:

1. NO JUMPING OR DIVING

The top rail of your pool is not a walkway and must not be used for jumping or diving. Do not permit jumping or diving into the pool from a deck or the top rail of the pool. Diving or jumping into the pool can result in serious injury.

2. NEVER USE THE POOL ALONE

Never permit the pool to be used unless it is attended by at least one person other than the bather. Someone should always be available to lend assistance in an emergency.

3. NEVER LEAVE CHILDREN UNATTENDED

Never leave a child alone and unsupervised in or near the pool—not even for a second. There is no substitute for constant adult supervision.

4. NO ROUGH PLAY

Do not permit "rough-playin" in and around your pool. Surfaces can become slippery and hazardous when wet.

5. LIGHT THE POOL AT NIGHT

If the pool is used after dusk, adequate lighting must be provided. Illumination in the pool area must be sufficient to clearly judge pool depth and all features in and around the pool. For lighting recommendations, consult your local licensed electrical contractor

6. RESTRICT ACCESS TO THE POOL

Do not leave chairs or other furniture beside the pool that could be used by a child to climb up into the pool. Ladders must be removed whenever the pool is unattended. A fence with a lockable gate around the pool or yard is strongly recommended and may be required by law in some jurisdictions.

7. NO ALCOHOL OR DRUGS

Never drink alcoholic beverages or use any intoxicants which could hinder your judgment and reflexes.

8. KEEP YOUR POOL CLEAN AND SANITARY

Your filter system will remove suspended particles from the water and the surface skimmer will remove insects, leaves and other debris from the water surface. Use the correct pool chemicals as directed to destroy harmful bacteria and prevent formation of algae. Remember, unsanitary water is a serious health hazard.

9. KEEP OFF TOP LEDGES

Do not walk on top ledges. They can be slippery and they are not a walkway.

10. POOL COVER SAFETY

The cover must have a tamperproof locking retainer cable that positions the cover around the pool wall and keeps it securely in place. Never allow anyone, especially small children on the cover. Asphyxiation or drowning could result. When purchasing any pool cover, please consult a swimming pool professional.

11. ELECTRICAL HAZARD

Never touch or attempt to service electrical equipment, including the filter when your body and/or the ground is wet. Electrocution or permanent injury due to high voltage (120V AC) could result. The pool should be bonded in accordance with Section 680-26 of the National Electrical Code. For further assistance contact your dealer or a local licensed electrician. Do not use pool during electrical or rain storms.

12. SAFETY ROPE & POLE

Keep a safety rope 1/4" by 50" with a flotation buoy with an outside diameter of 15". Have accessible in a prominent area by your pool. Keep a pole not less than 16 feet (4,88m) long with a blunt or hook end available at pool side in case of emergencies.

13. POOL CHEMICALS

Do not place chlorine, chlorine tablets or sticks directly into skimmer, or winterize your pool with liquid chlorine. Damage to the skimmer, pool liner and filter will result. Failure to obey this instruction will void all component warranties. Always follow Chemical Manufacturer's instructions when storing, handling and dispensing pool chemicals.

14. CHECK FOR DAMAGE

Periodically check your pool and ladder components for damage and wear. Be sure all screws are in place. Replace all damaged or worn components and tighten all screws before you use the pool, deck or ladders. At first sign remove rust and touch up immediately.

15. POOL PARTS

Never modify the pool or accessories, or remove or drill holes in the pool, deck or ladder components unless instructed. Your pool wall is made of thin metal, there is an inherent cut hazard with metal so use gloves during installation. Always use Original Equipment Manufactured parts for your replacement parts.

FOLLOW ALL SAFETY INSTRUCTIONS

Read and follow all safety instructions packaged with pool, ladder, deck or any other accessory. Additional pool safety publications can be obtained by contacting: The Association of Pool & Spa Professionals (www.apsp.org)



**REMEMBER
WATCH
CHILDREN**



IMPORTANT NOTICE READ BEFORE INSTALLATION!

The safety stickers must be installed as per following instructions. Failure to properly install warning labels will void warranty. Failure to mount these safety labels may subject you to substantial liability in case of injury. These warning are not to be removed under any circumstances! If they become discolored or fall off please request replacements which will be sent at no charge.



PLACE SIGN ON LINER ABOVE WATER LINE, OPPOSITE ENTRY TO POOL



PLACE SIGN ON WALL NEXT TO POOL ENTRY

INTRODUCTION:

Congratulations on becoming the owner of a new above ground swimming pool. This is the instruction packet for installing your swimming pool. The following are some helpful hints that you should take into consideration before installing your pool.

- 1) Read through the entire instruction booklet before you begin. This will enable you to find out exactly what is involved with installing your swimming pool before you begin. While you are going through the instructions, please be aware that all of the diagrams are representative of a 15' x 30'/18' x 33' pool. If you have a different size pool you will find that your pool has a different number of uprights than the ones in the diagrams.
- 2) **DO NOT ATTEMPT INSTALLATION IN WINDY OR GUSTY WEATHER** This will not only make installation more difficult, it may result in damage to your pool before it is completely installed.
- 3) Although we have broken down the installation into many simple steps, you will probably find that Steps 1 and 2 will be the most labor intensive and time consuming steps. Once you have completed those two steps you should find that the rest of the installation moves along much more quickly.
- 4) Please be sure to review all safety material and local codes before beginning your installation. There is a yellow safety envelope packed with your pool. This envelope contains safety material and warning stickers to be placed on your pool. If you are missing any of these items please contact your dealer or the factory to obtain it. The warranty is void if all safety precautions are not followed.
- 5) In the event that you need to make a warranty claim, it is important to know the size and model of your swimming pool in order to expedite the handling of your claim. Please fill in the information below and keep for your records. All of this information can be found on the labels attached to the cartons your pool is packed in.

NAME OF POOL: _____

SIZE OF POOL: _____

DATE OF PURCHASE: _____

NAME OF POOLWALL: _____

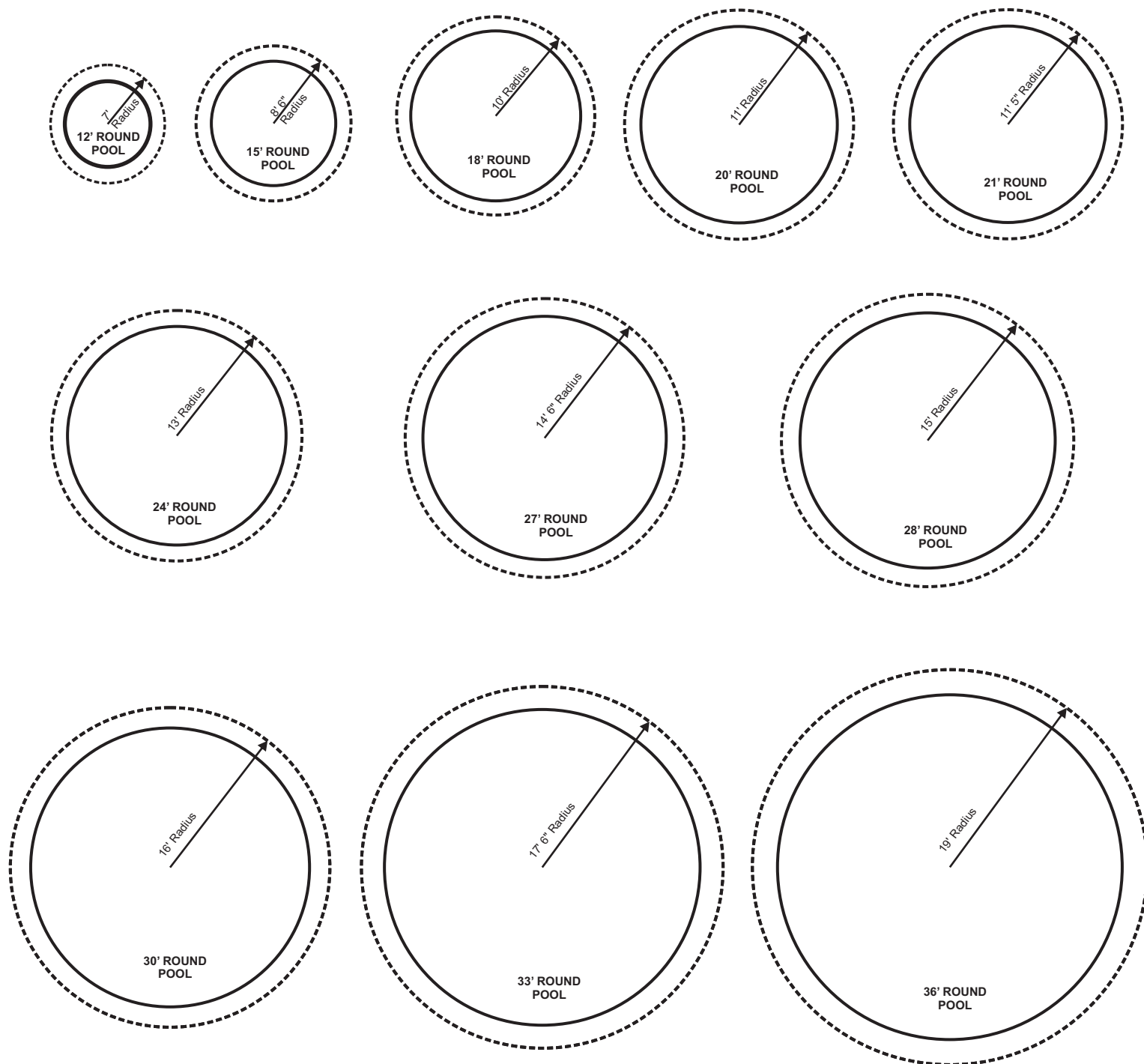
NAME OF LINER: _____

- 6) Make sure you have the necessary tools and materials before beginning your installation. Below is a list of the tools and materials needed.

- | | |
|-----------------------------|--|
| - Shovel | - Carpenters level and/or transit (Optional) |
| - Tape measure | - Patio Blocks (2" x 8" x 16") |
| - Phillips head screwdriver | - Box cutter (Razor blade) |
| - Duct tape | - Tamp |
| - Sand | - 5/16" wrench |
| - Filter | - 1/4" wrench |
| - Skimmer/Return fitting | |

ROUND POOL INSTALLATION INSTRUCTIONS

POOL AREA DIMENSIONS (POOL RADIUS PLUS ONE FOOT)



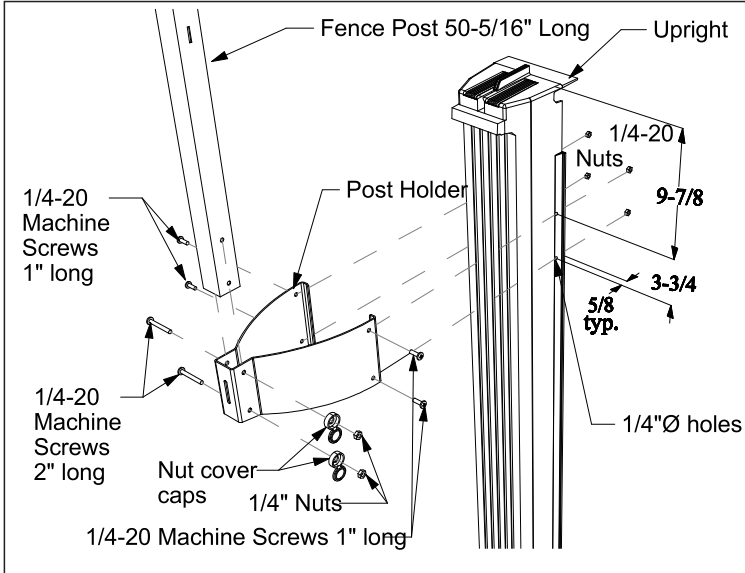
Radius means the measurement from the center point of the pool to the pool wall.

IMPORTANT!

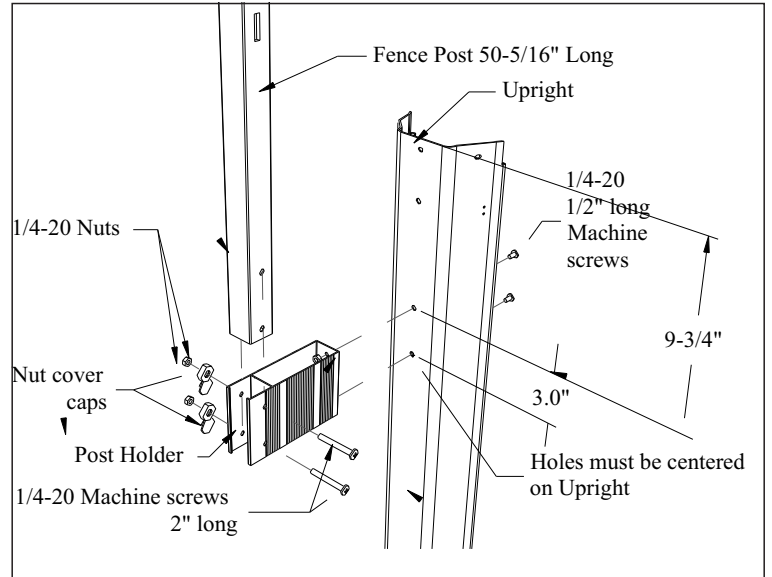
If you are installing a fence on your pool, you will need to install post holders on your uprights **BEFORE** you install the uprights on the pool.

Please refer to your Fence Installation Instructions for details.

Plastic Upright



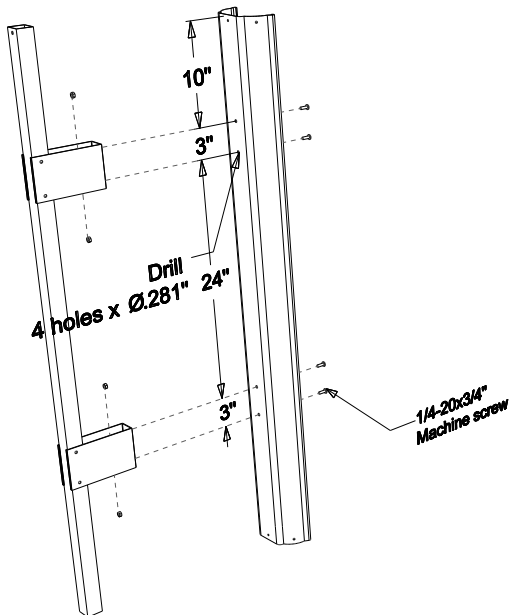
Metal Upright



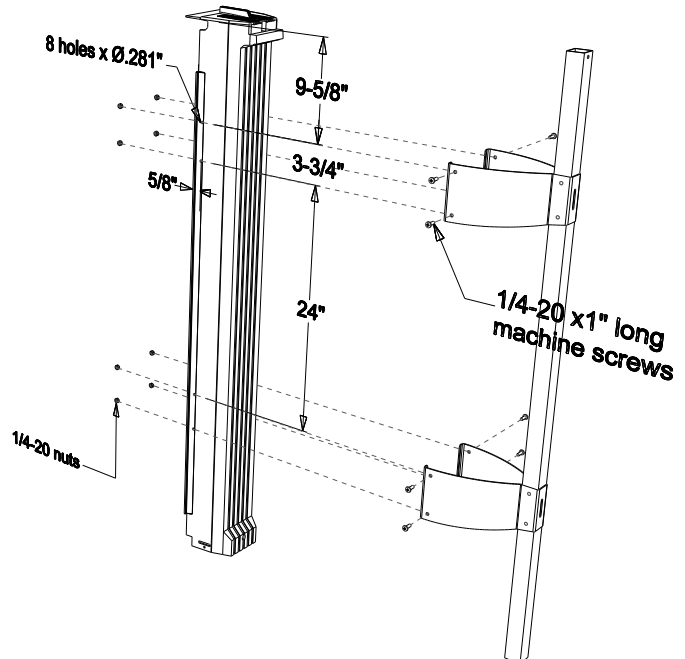
If you are installing a deck on your pool, then part of the deck support system must be installed on your pool uprights **BEFORE** you install the uprights on the pool.

Please refer to your Fence Installation Instructions for details.

Metal Upright

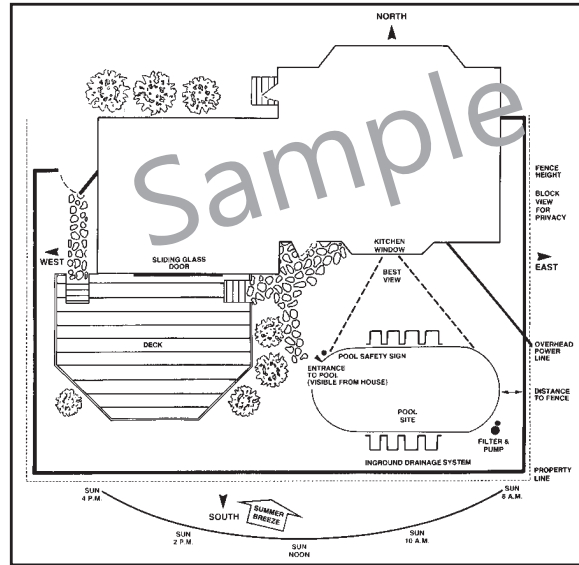


Plastic Upright



STEP 1: POOL LOCATION

Do not locate pool over underground lines, septic tanks, under electrical lines, near hazardous structures, or out of local code restrictions. It is essential that the area selected for your pool has a level and firm base. Do not assemble your pool on asphalt, tar or oil base surfaces. Avoid areas with sharp objects, or ground treated with weed killer or other chemicals. Also avoid areas where nut grass, Bermuda grass or bamboo grass grows, as they can grow through your liner. Grass must be removed. Do not place components such as filters, pumps, and heaters in a way that they can be used as a means of access to pool by young children. Be sure to follow all local building codes and obtain all building permits required for your area.

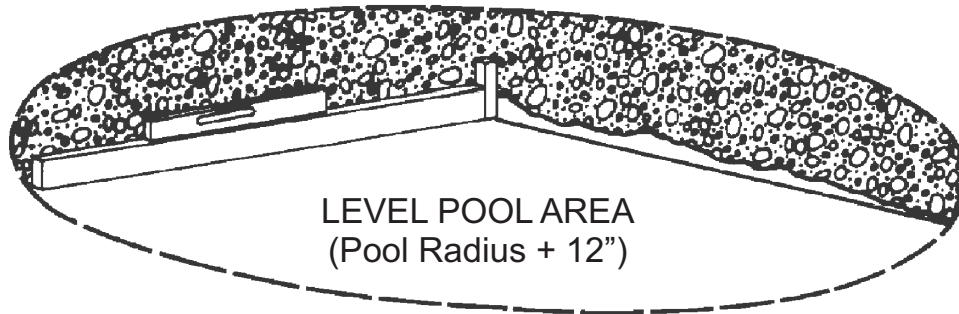


- *BE SURE TO AVOID:**
- All electrical wires
 - All gas lines
 - Septic tanks
 - Cesspools
 - Dry wells
 - Tree roots/stumps
 - buried debris(trees, building material, etc.)
 - sudden slopes within 6' of pool area

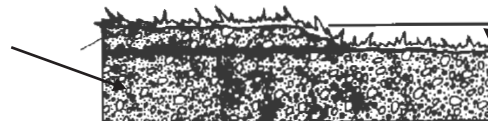
STEP2: TO PREPARE THE POOL SITE

Determine the pool circumference by putting a stake in the ground at the center of the location desired, and with a line equal in length to the radius of the pool area (1/2 the pool size plus 12"), mark off the circumference with a sharp object, lawn edger, white powder, or spray paint.

After all of the sod has been removed, you must make the pool area absolutely level as measured by a level or transit, not simply by the naked eye. Find the lowest spot within the pool area and level the ground to that lowest spot. Do not add dirt to the low areas as that will cause settling after the pool is filled with water. It is the high areas that must be dug away. The footing (perimeter) of the pool must be a solid foundation to prevent the pool from settling into dirt that is loosened by rain and water splashing over the side. Once again, clean the area of all sharp objects, including roots that later effect your swimming pool. For leveling, we recommend that you use a long straight edge board and a carpenters level or transit.



Remove soil and grass from high areas to be equal with the low areas.



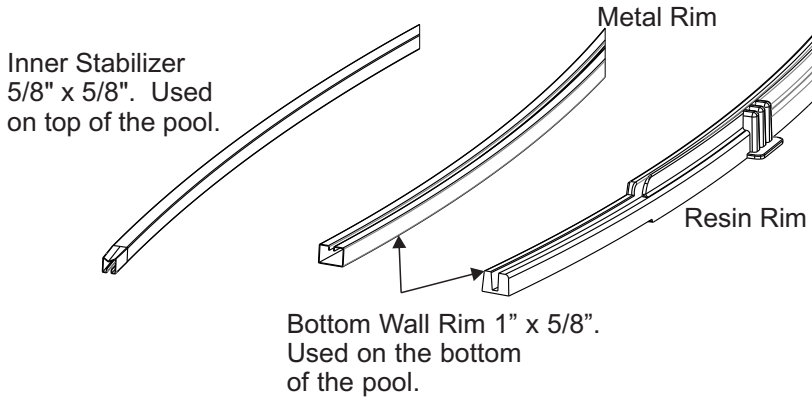
Remove grass only from the low areas.

STEP 3 - BOTTOM WALL RIM ASSEMBLY

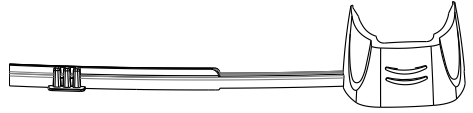
A. Use your pool parts breakdown sheet to separate all pool components, becoming familiar with each part.

B. Take the curved bottom rails and place them in a circle along the circumference of the pool area.

IMPORTANT: Make sure you are using the bottom rails and not the inner stabilizer bars. The bottom rails on some pool models are made of resin and not metal. The stabilizer bars are always metal and they have a male end and a female end. The bottom rails are the larger width rails that have the straight cuts on both ends. The bottom rails do not interlock (see diagram.)



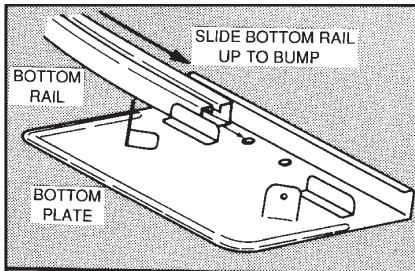
Metal Bottom Wall Rim



Resin Bottom Wall Rim

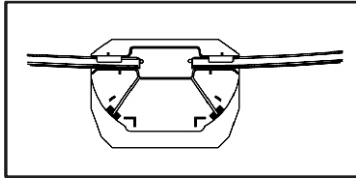
C. Assemble the rails by using the bottom plates or bottom cuffs to join them together.

IMPORTANT: Some pools have resin bottom plates or resin bottom cuffs rather than the traditional metal bottom plate. Please refer to your pool parts breakdown sheet to confirm which component applies to your pool. Rails should be inserted into the bottom plates or cuffs up to, but not exceeding, the stops on the plate or cuff. Rail can be squeezed between thumb and forefinger to facilitate insertion into the plates or cuffs.

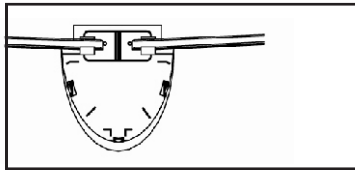


* Adjust rails in or out as necessary to form a true circle

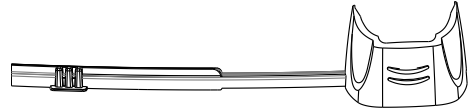
The bottom wall rim is inserted up to the dimple only.



The bottom wall rim is inserted up to the dimple only.



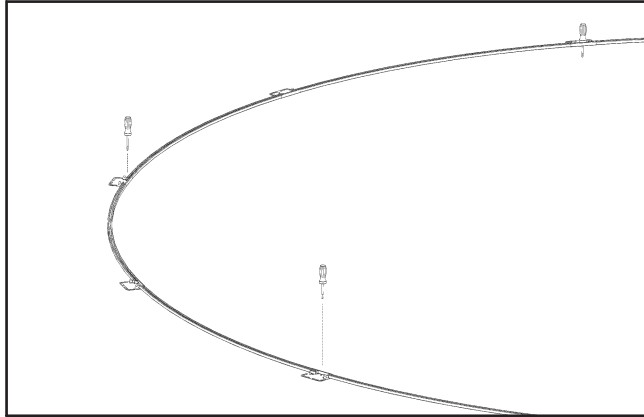
Metal Bottom Wall Rim



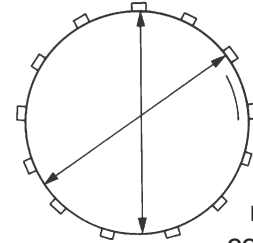
Resin Bottom Wall Rim

STEP 3 - BOTTOM WALL RIM ASSEMBLY continued

D. Check the roundness of your circle by measuring diameter across in several locations. Since the rails do not automatically form a true circle, **DO NOT SKIP THIS STEP!** Otherwise, you might end up with a slightly oval shape, which can cause problems later on. Once you have formed a true circle, stake the bottom rails at every other rail with a screwdriver, being careful not to scratch the rails.

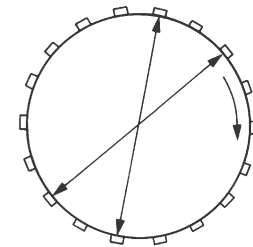


FOR POOLS WITH ODD NUMBER of BOTTOM PLATES or CUFFS:
Measure from bottom plate to center of opposite bottom rail at every other bottom plate. When true, stake into position.



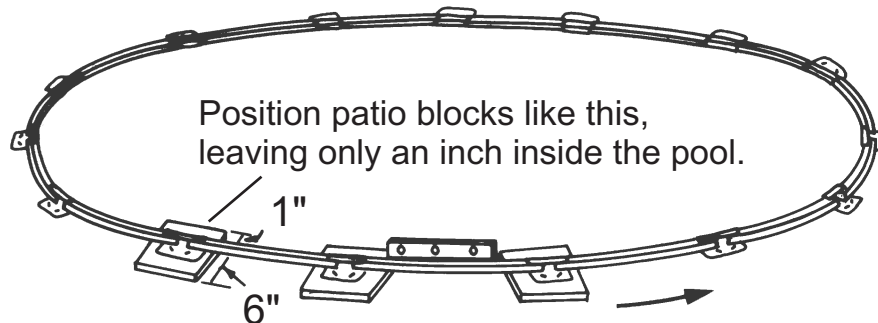
Measurements must go through center of the pool.

FOR POOLS WITH EVEN NUMBER of BOTTOM PLATES or CUFFS:
Measure from bottom plate to opposite bottom plate at every other bottom plate. When true, stake into position.

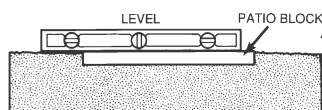


STEP 4 - PATIO BLOCK INSTALLATION

Once the frame is in position, begin centering bottom plates or cuffs on 2"x8"x16" patio blocks. Sink patio block into ground under bottom plate or cuff, making sure that the block is level in all directions (side to side as well as front to back). Repeat this step around the frame making the tops of all blocks level with the ground. Do not install blocks or rails on loose sifted soil or sand. There must be no space between the ground and the bottom of the rails. All patio blocks must be flush with the ground, solid and level with each other in all directions. You may remove a bottom rail at this time to cart in sand or sifted soil for the cove (step 9) as long as your pool ring remains staked in position. Make sure you replace the bottom rail in its proper position. A chalk outline of the bottom plates or cuffs on the patio block is an easy and temporary way to ensure that your track does not move throughout the remainder of the installation.



Make sure pool is level from block to block.

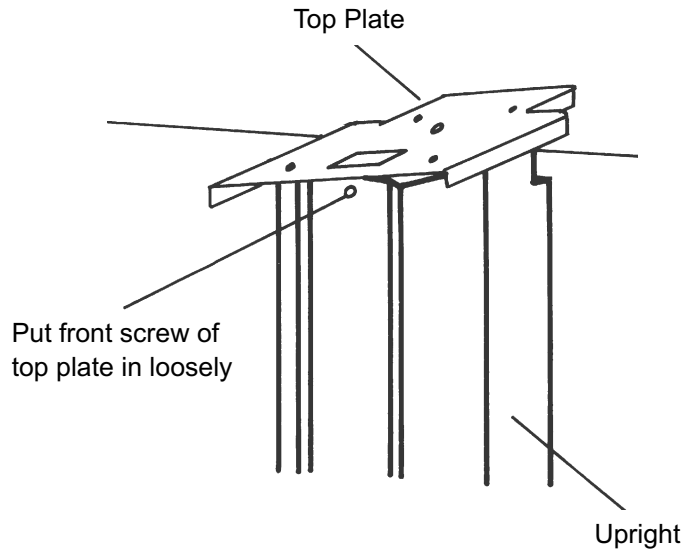


Check for levelness in all directions.

STEP 5 - PRE-ASSEMBLY

This is a good time to start the pre-assembly of the uprights. It is easiest to line all uprights next to each other in a line. It helps to lean them against a fence or some other sturdy object. On most models the top of the uprights can be identified by either an extra hole in the middle, or by an extra hole on each side (depending on which pool you have) for the decorator caps. Place the metal top plate on the upright making sure the holes line up and the hooked part of the plate is facing the open end of the upright (the side that goes against the pool wall). Now put a #10 x 1/2" screw in the center hole only. Do not install screws in the two side holes until later. This will make things easier and more efficient later down the line.

Now would be the time to install the fence post holders onto the uprights, if you have purchased a fence to go around your pool (see separate instructions). If not, or when that is completed, you should line the uprights around the pool at every bottom plate or bottom cuff for your convenience later on.

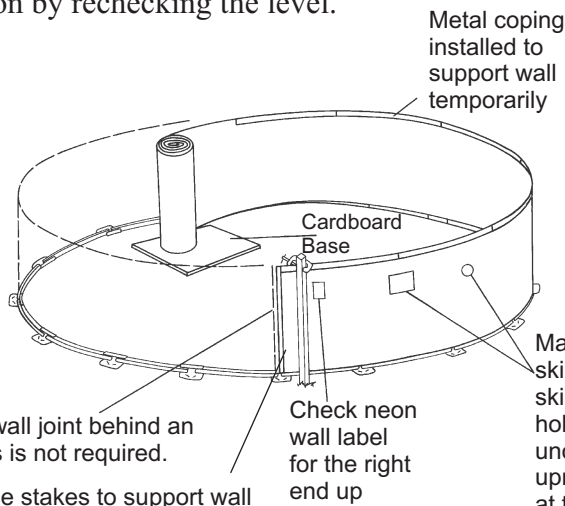


**This is one example of a top plate. The plate for your pool may look a little different.*

STEP 6 - WALL INSTALLATION

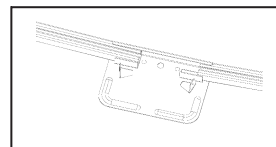
In this step, you will use the wall carton as a base to unravel the pool wall. Locate the area that you wish to put the skimmer and return so that you can start the wall behind the appropriate upright. Unravel the wall a little at a time, inserting into the bottom rails as you go. Do not unravel the entire wall at once, for this makes installation much more difficult. As you unravel the wall you will need something to hold it up. We recommend placing landscaping stakes around the outside of the pool and clipping the wall to the stakes as you go. If you cannot get landscaping stakes the other option is to temporarily install stabilizer rails and uprights to keep the wall in place.

If the side wall seems too long or too short, make the bottom ring larger or smaller by equally sliding the bottom rails in or out of the bottom plates. If the ground is uneven, the wall may jump out of the bottom track. Correct this condition by rechecking the level.

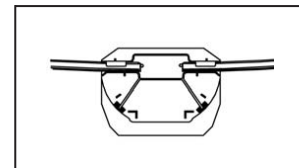


You may hide wall joint behind an upright, but this is not required.

Make sure skimmer and skimmer return holes are unobstructed by uprights, and are at the upper portion of the



Rails can be slid in or out from the stops on the bottom plates or cuffs to adjust for wall length being a little off.



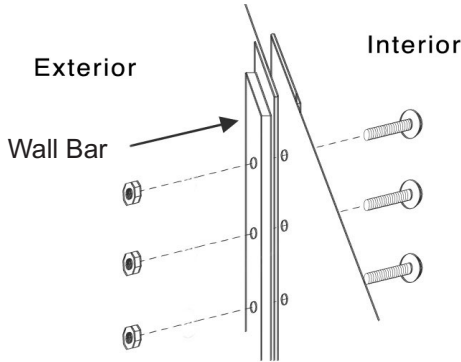
DO NOT ATTEMPT THIS STEP IN WINDY CONDITIONS, THE WALL IS VERY HEAVY AND EXTREMELY DIFFICULT TO MANAGE ON A WINDY DAY.

IF THE WIND DOES CATCH THE WALL DURING INSTALLATION, IT CAN CREATE DANGEROUS SITUATIONS AND/OR CAUSE DAMAGE TO THE POOL.

STEP 7 : WALL JOINT ASSEMBLY

***** We manufacture two different kinds of wall joint assemblies. One has a single row of bolts with wall bars, and the other is a staggered double row pattern with wall bars. Please check which design your pool has and follow the appropriate instructions below.**

Type #1 Single Row



IMPORTANT-This operation must be done carefully! When joining the sidewall, make sure that the strips do not touch each other. One bar must be inside the pool (the bolts will touch this bar) and one bar must be outside the pool (the nuts will touch this bar). Insert the bolts with the bolt head to the inside and the nuts to the outside of the pool. Do not tighten until all bolts have been inserted. If your screwdriver slips and scratches the head of the bolt, file the scratch smooth so that it cannot puncture the liner. It is recommended that you cover the heads of the bolts, on the inside of the wall, with three layers of duct tape. If the insertion of the wall in the bottom rail is tight at the point where the wall is joined together, insert a screwdriver and twist to make enough room, again being sure not to ratch the wall or the bottom rail.

REMEMBER:
ALL NUTS SHOULD BE AS TIGHT AS POSSIBLE USING HAND TOOLS. BARS MUST NOT TOUCH EACH OTHER. EVERY HOLE FROM TOP TO BOTTOM OF THE WALL/WALL BAR SYSTEM MUST HAVE A SECURELY TIGHTENED NUT AND BOLT. IF THIS IS DONE INCORRECTLY YOUR POOL WILL BREAK!

Type #2 Staggered Bolt Pattern

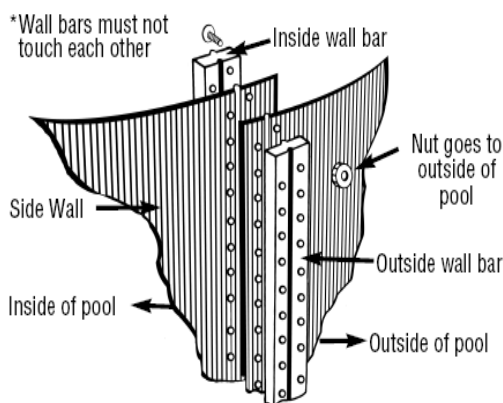
IMPORTANT - This operation must be done carefully! When joining the sidewall, make sure that the strips do not touch each other. One bar must be inside the pool (the nuts will touch this bar). Insert the bolts with the bolt head to the inside and the nuts to the outside of the pool. Do not tighten until all bolts have been inserted. If your screwdriver slips and scratches the head of the bolt, file the scratch smooth so that it cannot puncture the liner. It is recommended that you cover the heads of the bolts, on the inside of the wall, with three layers of duct tape. If the insertion of the wall in the bottom rail is tight at the point where the wall is joined together, insert a screwdriver and twist to make enough room, again being sure not to ratch the wall or the bottom rail.

• If you are missing any hardware, do not leave empty holes in the wall joint assembly. Doing so will cause your pool to break!

See your pool dealer for additional hardware in the case of shortage.

STAGGERED BOLT WALL BAR SYSTEM

*** Every hole from top to bottom of wall/Wall bar system must have a securely tightened nut and bolt. ***



Top View

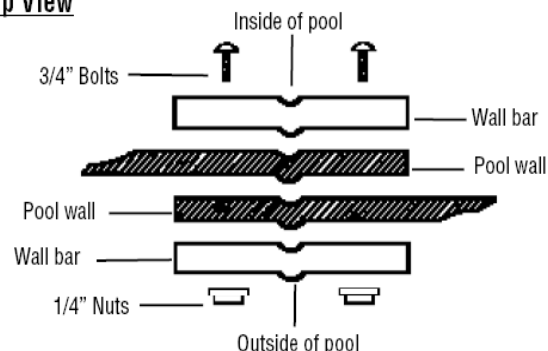
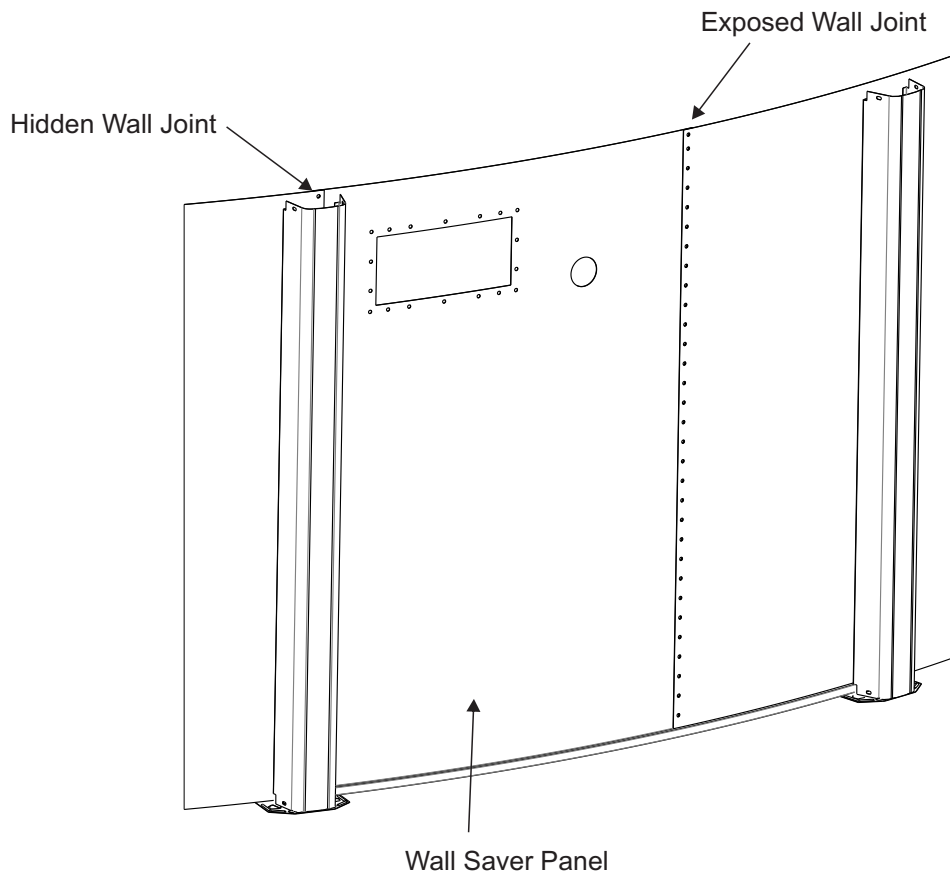


Fig. 49

REMEMBER:
ALL NUTS SHOULD BE AS TIGHT AS POSSIBLE USING HAND TOOLS. BARS MUST NOT TOUCH EACH OTHER. EVERY HOLE FROM TOP TO BOTTOM OF THE WALL/WALL BAR SYSTEM MUST HAVE A SECURELY TIGHTENED NUT AND BOLT. IF THIS IS DONE INCORRECTLY YOUR POOL WILL BREAK!

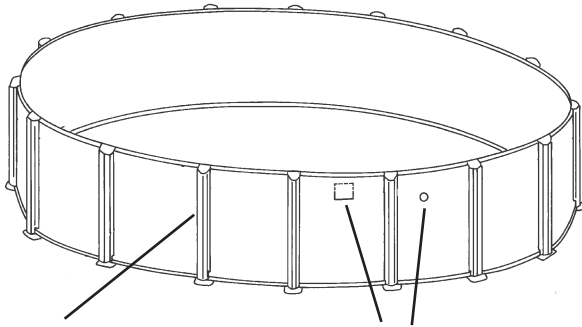
STEP 7 : WALL JOINT ASSEMBLY (Cont.)

Many pool walls come with a Wall Saver Panel. The Wall Saver Panel is a separate piece of the pool wall that has the skimmer and return openings in it. The Wall Saver Panel is joined to the pool wall at each end. Your pool will have 2 wall joints. On many size pools and many Wall Saver Panels this means that one (1) of the joints will be exposed and clearly visible on the outside of the pool instead of being behind a pool upright. This is normal. See Fig.49B for how the wall saver panel is installed in the pool wall.



STEP 8: UPRIGHT INSTALLATION

If you have not done so already, install uprights onto the bottom plates or the bottom cuffs. See appropriate step below for your pool.



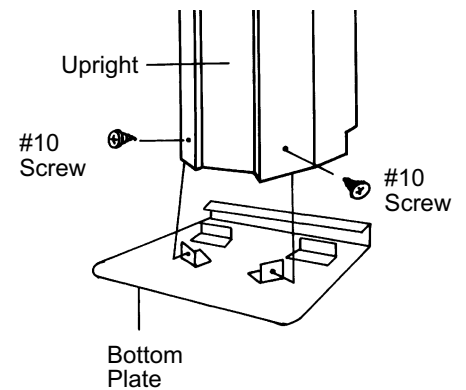
Upright

Note: Skimmer and skimmer return hole locations

*Wall joint is hidden behind the upright on most pools. This assures that the skimmer and the skimmer return holes are not obstructed. It is not possible to hide the wall bars on some of the smaller size pools that we make, such as the 12' round, and the 8' round.

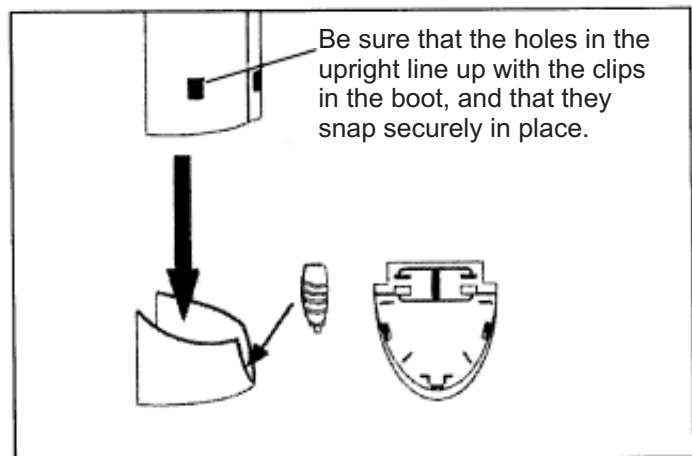
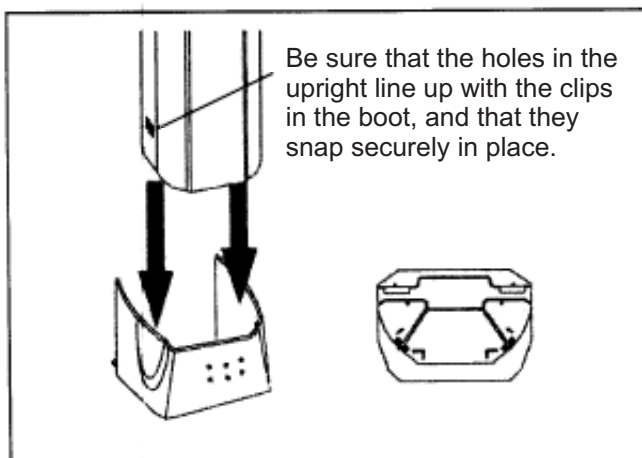
TYPE#1 - BOTTOM PLATE POOLS:

- Models with metal or resin bottom plates will require one, two, or three #10 x 1/2" screws for each upright, depending on which model you have.
- The top plates can remain unsecured for now, but they should be temporarily clipped over the wall to prevent them from falling backward.
- If your pool has an additional resin "boot" for the bottom of the upright, secure them to the uprights at this point using two more #10 x 1/2" screws.
- Check pool for roundness again, making sure the diameter is the same in all directions.



TYPE#2 - BOTTOM CUFF POOLS:

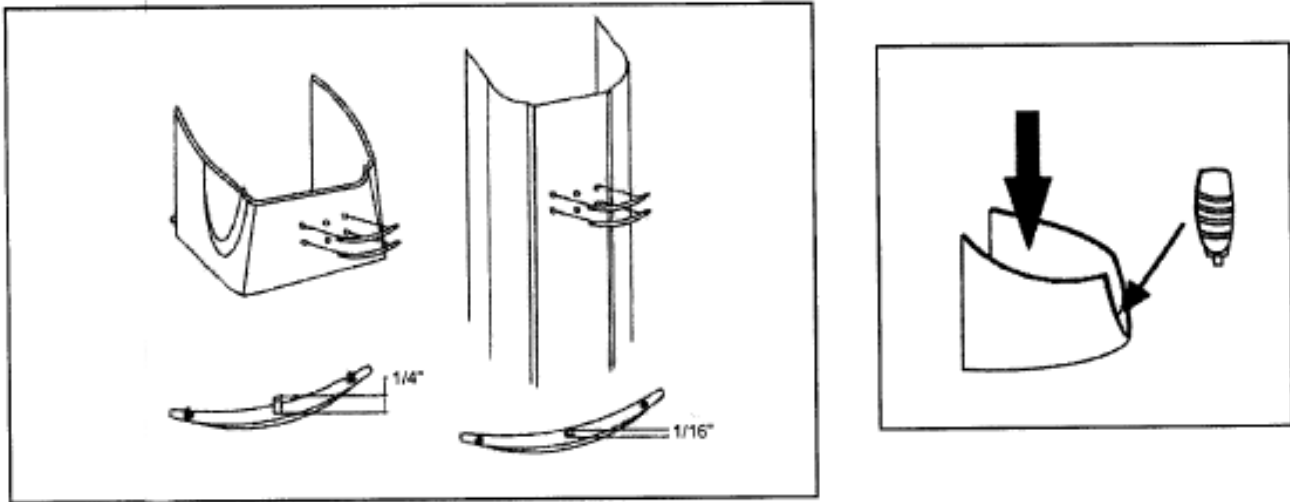
- Models with resin bottom cuffs, instead of bottom plates, do not require hardware in order to secure the upright at the bottom. Simply line up holes in the lower portion of the upright with the corresponding clips in the bottom cuff and push them down until they lock in place. When this is done properly the upright will not be able to be pulled up without bringing the bottom cuff with it.
- The metal top plates can remain unsecured for the time being, but they should be temporarily clipped over the wall to prevent them from falling backward.
- Check pool for roundness again, making sure the diameter is the same in all directions.



STEP 8: UPRIGHT INSTALLATION continued

ACCENT CLIP INSTALLATION (Not applicable to all models of pools):

Sortie bottom cuffs and/or uprights have separate accent clips. This is a good time to snap those pieces on if your pool has these. Below are some examples of accent clips. These may be in different locations depending on the model of pool.



Please note the difference of the accent clips for the resin boot and the steel Upright. For proper fit be sure to use the correct clips.

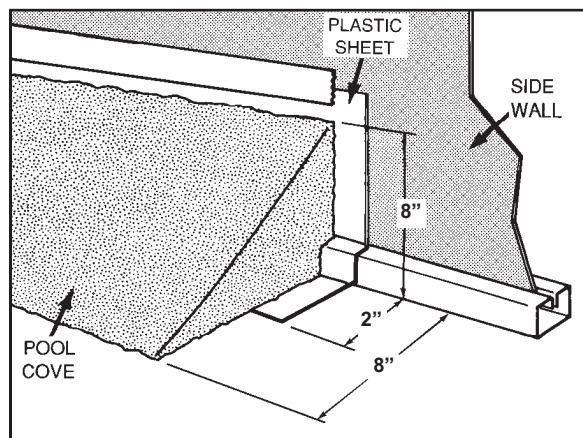
STEP 9: PREPARING THE COVE

Using neutral alkalinity sifted earth, or fine sand without pebbles, build a 2" base over the entire pool area to protect the liner.

DO NOT USE ANY SUBSTANCE WITH HIGH ALKALINE OR ACID CONTENT, ESPECIALLY PEAT MOSS, AS IT WILL CORRODE METAL PARTS!

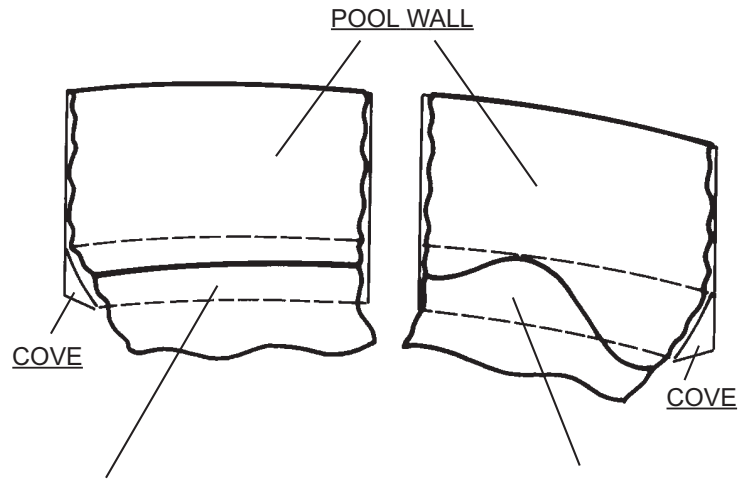
Next, using the sifted earth or fine sand, build a pool cove 6" to 8" high inside the metal wall along the entire circumference. This will prevent the liner from creeping under the wall, and it will also protect the liner from any metal edges of the pool framework. **THIS STEP IS NOT OPTIONAL- IT MUST BE DONE!** Since earth containing chemicals can cause discoloration or corrosion, it is suggested that you place polyethylene plastic sheeting under the cove around the perimeter of the wall, so no earth comes in contact with the metal. Since the presence of such chemicals is beyond the control of the manufacturer, such damage is not covered by the warranty.

After the cove and the base are in place, rake and tamp the entire pool area. Make sure that no sand is allowed to remain on the wall above the cove. This could cause pinholes in your liner.



STEP 10: LINER INSTALLATION

If you opted to use the stabilizers to help hold the wall up, then you will need to take them off while installing the liner. Do not place the liner wall seam directly over the skimmer or skimmer return cutouts. Place the liner at the center of the pool with the flap from the seams facing down. (For print liners, leave the print side facing up.) Spread the liner so that the bottom seam of the circumference is resting on the cove evenly around the pool. The seam should not be upon the wall or shifted to one side. These conditions will cause tightness or stretching of the liner when the pool is being filled.



CORRECT LINER SEAM
Resting evenly on or near the cove of the pool. Seam may not always lie on the cove as pictured, so your focus should be to keep the seam consistent around the pool.

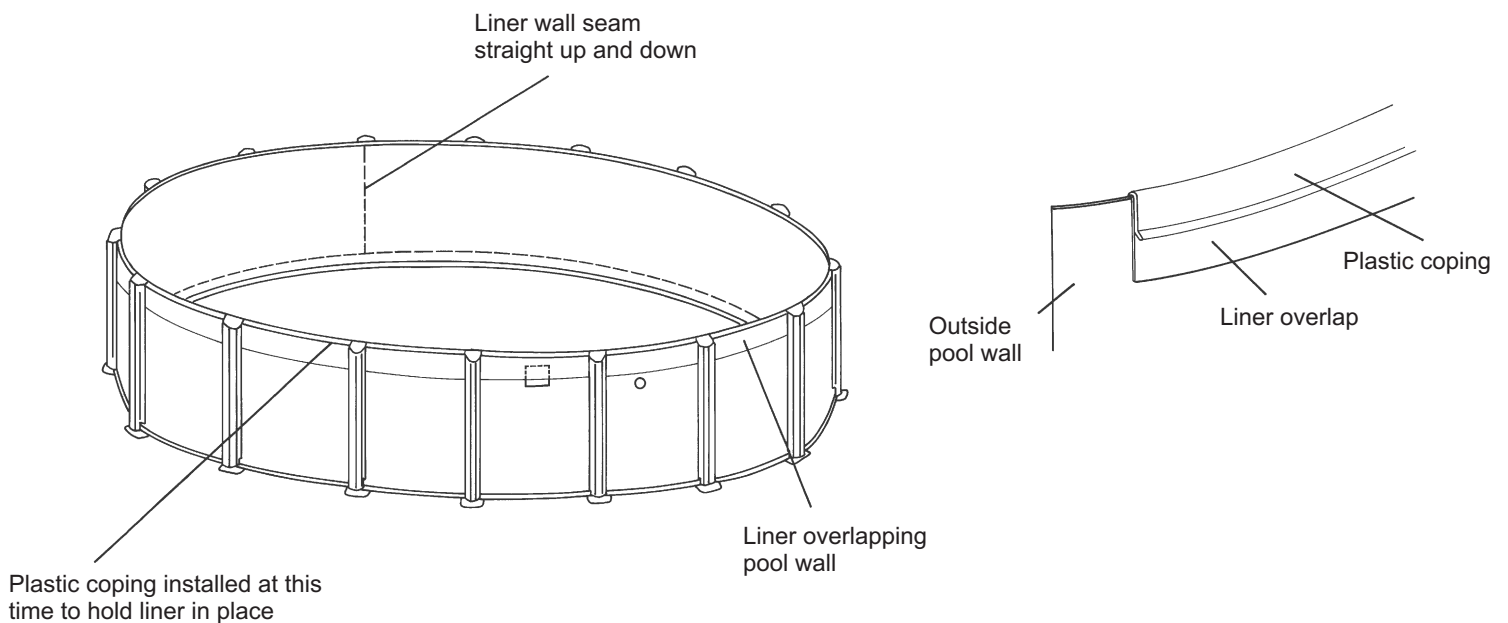
INCORRECT LINER SEAM
Shifted up wall.
This should not be done.
Correct this situation if it occurs.

STEP 11- HANGING LINER:

There are a few different types of liners on the market today. The three most common liners are the Overlap, the Snap Bead, and the V-Bead liners (Also referred to as J-Bead liners). Please be sure which one you have and follow the appropriate step below:

TYPE #1 - OVERLAP LINER

Starting at the liner wall seam, hang the liner over the wall making sure that the seam is straight up and down, perpendicular to the floor. This will assure you that the liner begins going over the wall straight. As you put the liner over the wall you can secure it by using the plastic coping strips to keep it in place. If you end up with excess material, continue around the pool, pulling excess liner evenly, and distribute over the wall until the excess is gone.



STEP 11- HANGING LINER *continued*

TYPE #2 - SNAP BEAD LINER

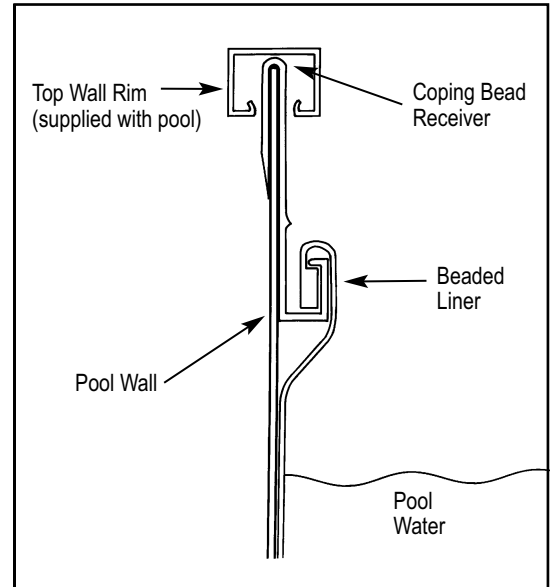
With a snap bead liner, you will not use the plastic coping strips that are packed in the parts carton of many pools. You can discard those pieces (if they are included). Instead, you should have received a beaded liner track (referred to as a « coping bead receiver in the below diagram).

The beaded liner track should be installed onto the pool wall all of the way around the pool. These pieces should be as close together as possible. Leaving spaces between bead tracks can cause liner problems down the road.

Once all of the beaded liner track is on the wall, you can snap the liner bead into the beaded liner track at four random points around the pool. After that is done, and you are satisfied with how the liner is situated within the pool, you can continue snapping the remainder of the liner into place around the pool.

Go around the entire pool again making certain that the liner is securely snapped into the track. This is important to confirm so that the liner does not pull out while under the pressure of being filled with water.

SNAP BEAD LINER

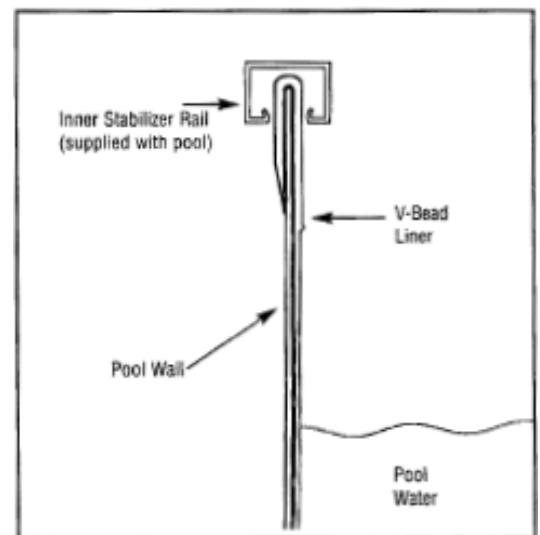


TYPE #3 - J or V-BEAD LINER:

- With a V-Bead liner you will not use the plastic coping strips that are packed in the parts carton of your pool. You can discard those pieces, if they are included, as they only apply to pools with overlap liners.

- The top of the wall of the liner has what is called a "V-Bead" welded onto it. Simply open up the bead with your fingers and hang it directly on top of the pool wall. When this is done properly, the only portion on the outside of the pool wall is approximately 1" of the V-Bead. No printed liner material is actually going over the top of the wall to the outside of the wall.

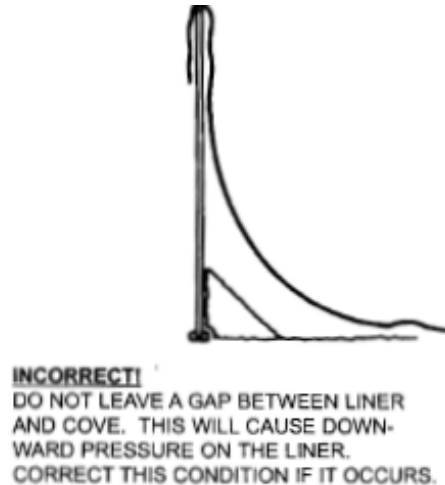
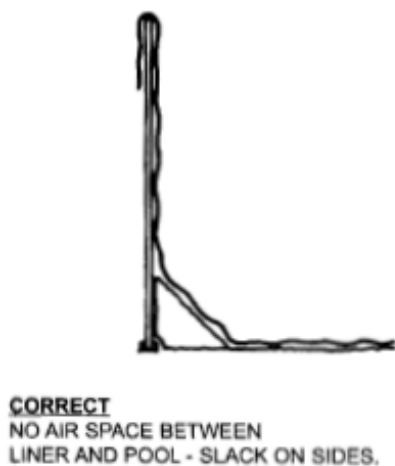
- Make sure the bead is on evenly around the entire pool, and that the liner is hanging straight down from the top of the wall. The liner should not have creases in it because it is twisting around the pool. If the liner is twisting, it is because it is not sitting properly in the pool. Make necessary adjustments before proceeding



STEP 12: LINER ADJUSTMENT

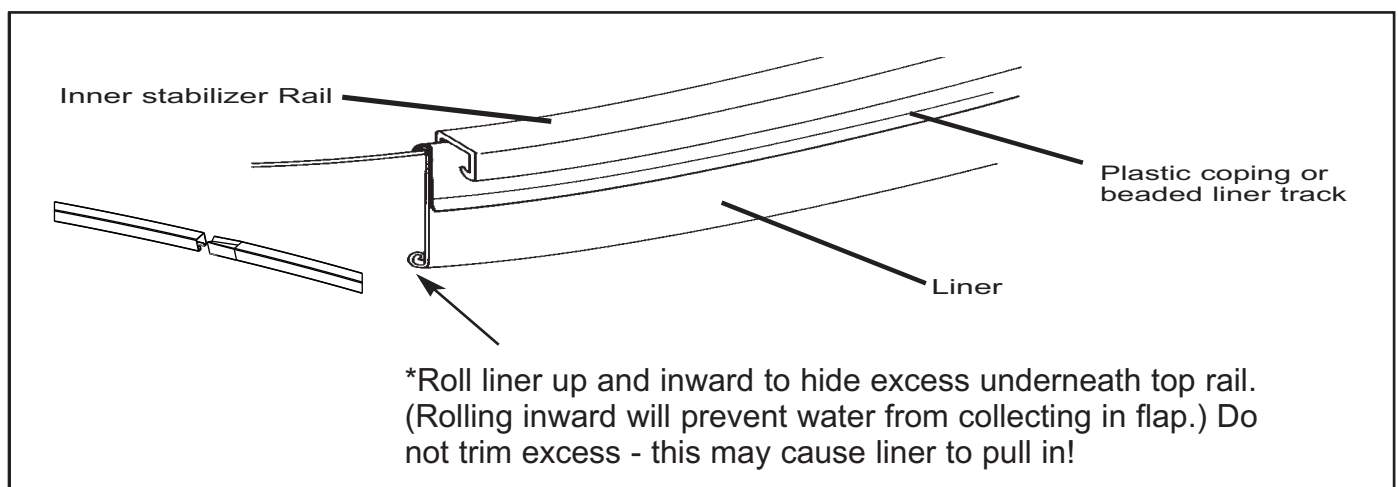
Once the liner is securely in place by coping, temporarily pull wrinkles in the floor towards the side wall evenly, leaving the wrinkles at the cove. When the liner is correctly positioned, there must be no air between the liner and the ground or side wall. Remove wrinkles at the cove by adjusting the amount of material over the wall. Do not pull too tight- leave the slack on the sides. When a liner is properly installed, there is no downward pressure on the liner. The liner could pull in if it is hung too tightly.

Start filling the pool. When the water is no more than 1" deep, check the levelness. If water runs to one side, pull back the liner and make the ground level. When level, continue to fill and adjust the liner. Do not cut the skimmer and return holes in the liner until fully adjusted and the pool is 1/3 filled.



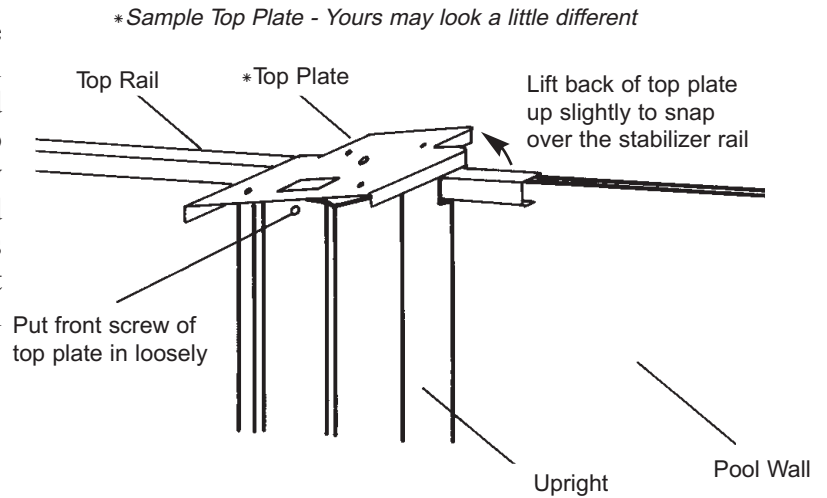
STEP 13: INNER STABILIZER ADJUSTMENT

When the liner is completely adjusted and the plastic coping is secured, push the first inner stabilizer rail over the plastic coping so that it fits snugly (starting at the wall bolts is usually a good idea). Be sure to leave one end of the stabilizer slightly raised so that the next stabilizer can interlock as shown below. As they are progressively installed around the circumference of the pool, note that the tapered end of the stabilizer easily telescopes into the un-tapered end of the following stabilizer. The tapered end should be inserted approximately 1" into the adjacent stabilizer. This allows room for adjustment either in or out. In this way, the last stabilizer may be fitted into place by adjusting the other stabilizer rails as needed.



STEP 14: SECURE UPRIGHTS

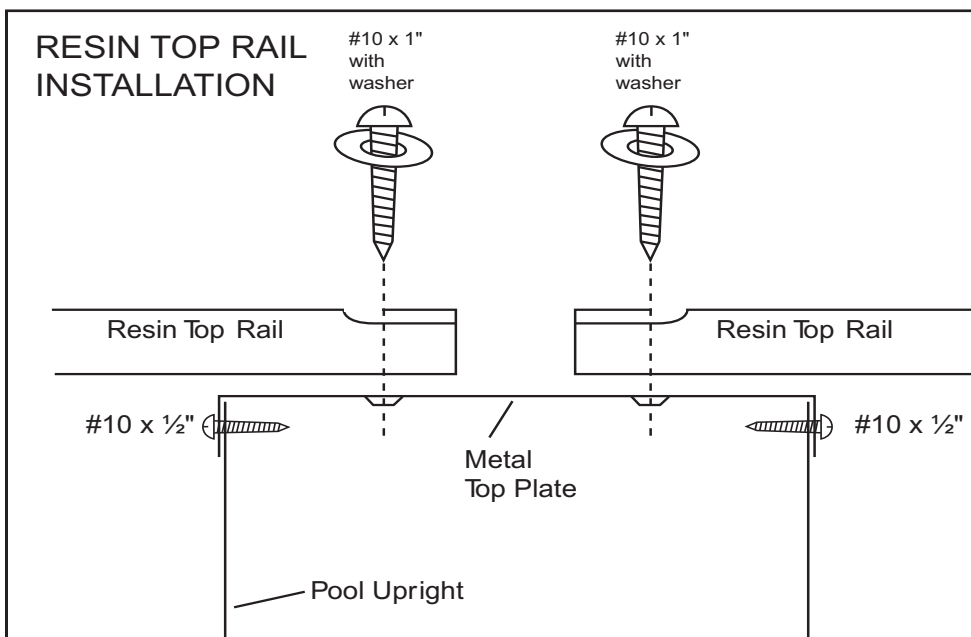
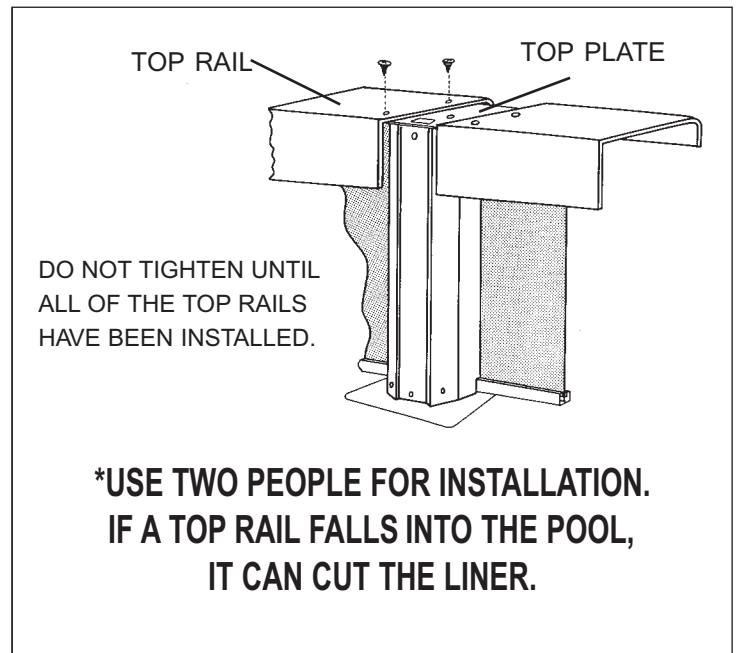
At this point you can now pull the front of the top plate (the hooked part) over the stabilizer bar and, after you are positive that the upright is level, you can now add the final two screws necessary to secure the uprights to the pool. If the uprights are not level, it will be very difficult to get the top rails to fit together. It is a good idea to use a carpenter's level to check that the upright is standing perfectly straight. If the upright is leaning left or right this is easy to correct before putting the final two screws into the top plate.



STEP 15: TOP RAIL INSTALLATION

Your pool either has metal top rails, or resin top rails. Please notice the different hardware that is necessary for the resin top rail pools.

You should have two people while installing the top rails. If a top rail falls in the pool it can cut the liner. Secure all metal top rails using #10 x 1/2" screws into the corresponding holes in the top plates. *Resin top rails require special #10 x 1" screws that have attached washers. When installing the top rails do not tighten screws until all of the top rails have been installed. This will allow room for adjustments if necessary on the final few rails that are installed. Attach all top rails before the water is more than 12" deep, because if the pool is slightly out of round, you may have a problem getting the last rail to go on.



RESIN TOP RAIL INSTALLATION

When a resin top rail pool is assembled, you must use special hardware to attach the resin top rail to the metal top plate. Please see the diagram to the left for assembly.

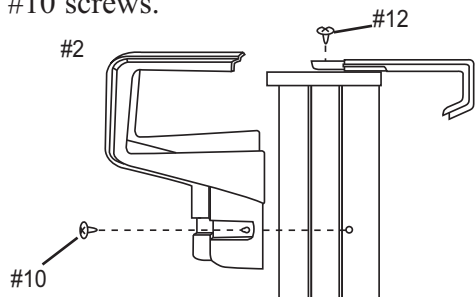
The special hardware is:

- a) A #10 screw that is 1" long.
- b) A washer with the screw to distribute the pressure more

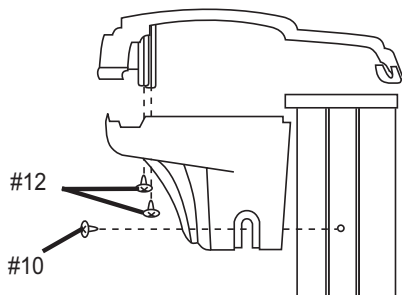
STEP 16: TOP COVER INSTALLATION

After all top rails have been installed, tighten all screws and attach the top covers as shown in the appropriate diagram for your pool.

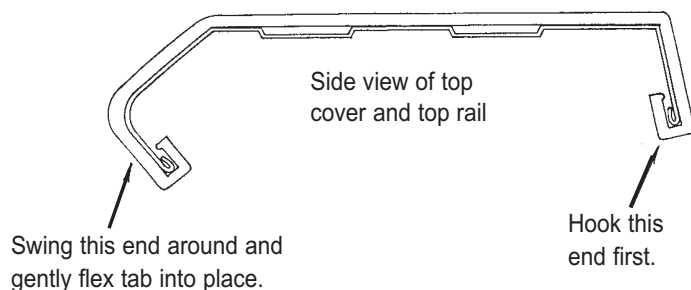
2 PC RESIN TOP COVER: Center small half over hole in the top plate as shown and attach with a #12 screw. Slide the large half over the small half and secure using two #10 screws.



2 PC RESIN TOP COVER: Attach top part on top rail using the hooks. Use #12 screws to assemble bottom part with top part. Secure the assembly using two #10 screws.



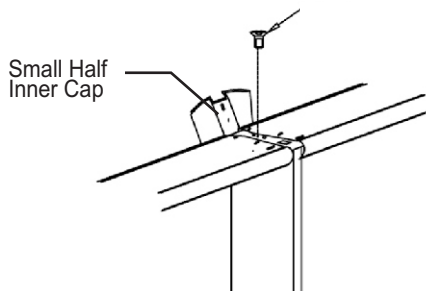
ONE PIECE RESIN CLIP-ON COVER: This installation requires no hardware. Simply hook the back end of the top cover into place, and use your fingers or a screwdriver to gently flex the front tabs enough to hook the cover in place. Make sure that the top cover is centered over the upright when installing.



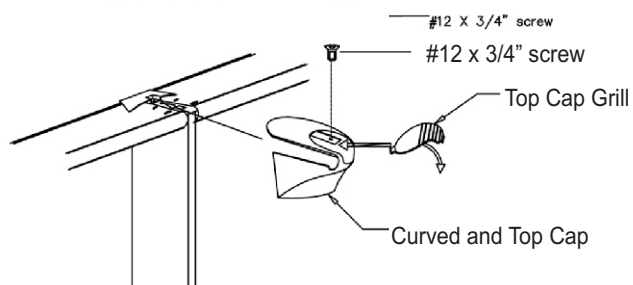
Bullnose rail is used for the illustration, but installation is the same for all 1 pc. clip-on resin covers.

1) Attach the inner top cap using a #12 Screw into hole #2.

#12 screw



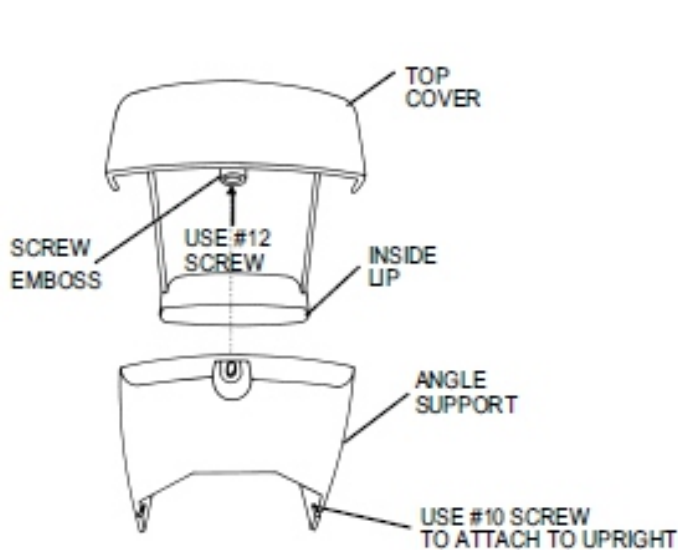
2) Attach the resin outer Top Cap using a #12 screw into hole. Put the grill over the screw when finished. See Diagram below.



STEP 16: TOP COVER INSTALLATION continued

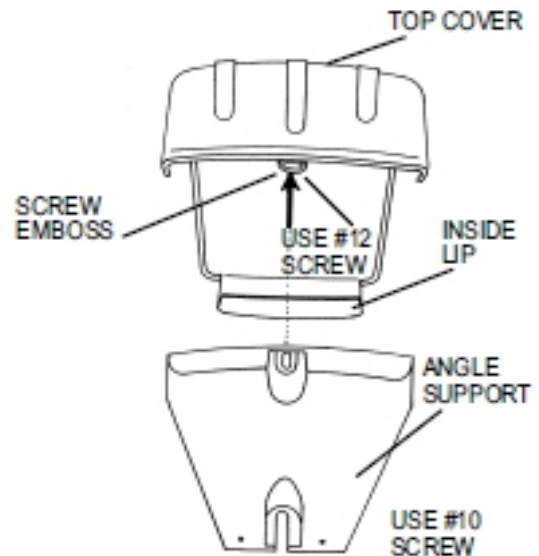
TWO PIECE RESIN WITH ANGLE SUPPORT ATTACHMENTS ON THE SIDES:

- 1) Hook large half of cover under inside lip of top rail. Swivel cover down flat, centered over the upright.
- 2) Take angle support (small half) and position underneath top half, securing angle support to upright with 2 #10 screws on the sides (leave loose for adjustment). Then, take a #12 screw and connect angle support to top cover. A small space will occur- this is designed to take up expansion & contraction in manufacturing tolerances in the top rails.



TWO PIECE RESIN WITH ANGLE SUPPORT ATTACHMENTS ON THE FRONT:

- 1) Hook large half of cover under inside lip of top rail. Swivel cover down flat, centered over the upright.
- 2) Take angle support (small half) and position underneath top half, securing angle support to upright with a #10 screw in the front. Then, take a #12 screw and connect angle support to top cover. A small space will occur- this is designed to take up expansion & contraction in manufacturing tolerances in the top rails.



Important Pool Safety & Maintenance

Keep your pool wall and frame clean. Always wash away any deposits of pool chemicals which land on the frame of your pool. Wash periodically with a mild soap solution (no abrasives). At least once a year use a clear non-yellowing household wax on all metal components.

Your pool and liner must be inspected regularly for leaks, corrosion, scratches, and punctures. If any problem is found IMMEDIATE CORRECTIVE ACTION MUST BE TAKEN. Small repairs and punctures in your liner may be easily repaired using repair kits available at your local dealer. Scratches on your pool wall & frame must be touched up with anti-rust enamel. Wire brush all rust and add a coat of enamel primer followed by a coat of color matching paint. Pool water is full of various caustic chemicals, which will corrode metal parts. If any corrosion is allowed to continue, failure of the pool structure may occur which could result in excessive property damage as well as bodily harm.

The skimmer area and below it are particular areas that must be carefully and regularly inspected. If this area is wet, and remains wet for any length of time, it usually means there is a small leak. Skimmer/skimmer return gaskets must be replaced when they become defective. Water must not be permitted to continually run down the wall, if neglected pool will break. If proper skimmer/skimmer return gasket care is not maintained, your warranty will be void!

Be sure to follow all local and state safety regulations when installing any accessory to your pool. Any decks, and all entries, must be carefully monitored for safety and access to pool. Installing any other manufacturer's deck or slide is strictly forbidden!

Winterizing Your Pool

During the winter your pool is subject to more stress than in the summer, and any breakage that is caused by incorrect winter procedures is not subject to any warranty with this company.

All of our pools and liners are designed to be left up all winter, but nonetheless are subject to the warranty of the liner being purchased. Continue to chlorinate and filter until the pool is closed down.

Before closing down your pool for the winter you must make a complete inspection of the pool.

- Check all the connections to make sure everything is tight and in good condition
- Check to see that the liner is snugly held in place over the wall.
- Check for any indication of rust or deterioration in any part.

IF ANY OF THE ABOVE IS FAULTY YOU MUST CORRECT THE SITUATION IMMEDIATELY.

Lower the level of water to about one foot below the skimmer intake and return holes. Throughout the winter you must continually check this level, as it must not reach the skimmer holes at any time during the winter.

During the winter the pool requires the use of an equalizer to allow for the expansion and contraction that occurs when ice is formed and to hold cover up. This can be a product manufactured for this express purpose and is available at your swimming pool dealer.

The use of a winterizing agent will simplify the start up of your pool next season.

A cover designed for winter use is also recommended to keep pressure on the equalizer so it is forced into the water, keep dirt out, and at the same time, serve as a safety cover.

If your skimmer is supplied with a winter plate and cap you must still follow the same steps as above. It is essential that no water be allowed to run down the wall for any period of time. If your skimmer did not come with the winter plate it is available at a nominal charge at your dealer and is recommended.

Important Winter Rules

After your pool has been winterized and all steps carefully followed, the following checks and procedures must be strictly followed during fall, winter, and spring seasons.

Your pool warranty will be invalid if pool has been improperly winterized and the following procedures not strictly adhered to. Pools that have been incorrectly winterized have been known to collapse under the tremendous pressures exerted by ice and snow.

A pool that is left up during the freezing temperatures must not be allowed to leak. It is not uncommon for a leak to develop during rigorous summer usage and go undetected. What is thought to be water loss due to evaporation or spillage may be caused by a small leak. Persistent wet areas around the pool should be inspected. To determine if your pool is leaking, mark the liner at the water level and closely observe the water level in the pool for a period of 10 - 12 days after the pool is closed for the season. Any rain during this period may compensate for any undetected water leakage. Therefore, the observation period must be extended to find any leaks.

Maintain a strict leak inspection schedule throughout fall, winter, and spring months. Spring thawing which frequently leads to ground heaving can be especially dangerous if care is not taken.

Maintain a strict inspection of the inner skimmer housing to see that water is not leaking at the gasket. If the skimmer was not removed, water should not be allowed to collect in the skimmer housing as the water will freeze and crack the housing and cause possible damage to the wall.

Should ice, or anything else, cut your pool liner allowing the pool to empty, be sure to release the cover thereby removing the weight from the top of your pool. Failing to do so can cause your pool to collapse.

Consult your pool dealer for the proper winter chemicals for quick spring start up.

During the course of the winter the liner may pull out of it's coping due to no fault of the pool installer. Due to freezing and thawing of the ground, the ground sometimes sinks and the liner with the weight of ice or water will sink also, thus pulling the liner out of it's coping.

Be sure to pull off all excess snow and ice from the winter cover.

Do not permit ice skating or horseplay during the winter as this can cause pool and liner damage, as well as, serious injuries.