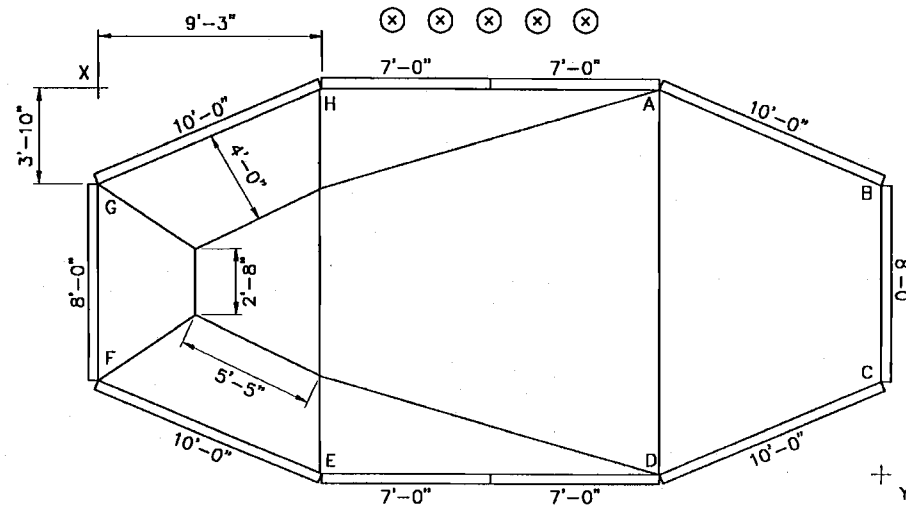
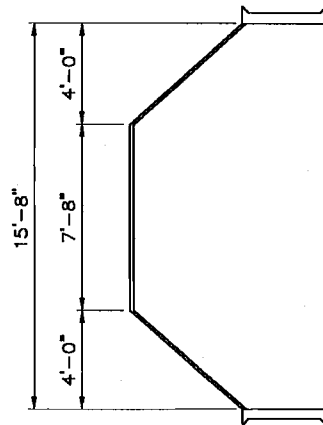


**BILL OF MATERIALS**

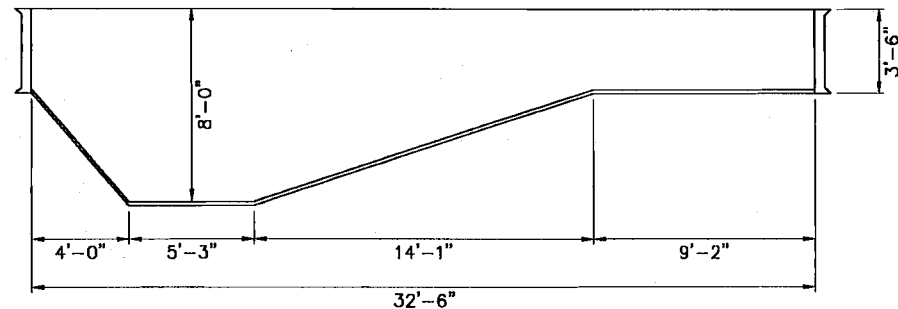
QTY.	DESCRIPTION	CODE
2	10'-0" PLAIN PANEL	CPN-S120
2	10'-0" HAYWARD RETURN	CPN-S120RH
2	8'-0" PLAIN PANEL	CPN-S096
1	7'-0" HAYWARD SKIMMER	CPN-S084SH
3	7'-0" PLAIN PANEL	CPN-S084
10	BUTTRESS	CPC-BUT
10	BUTTRESS HARDWARE	CPC-HDW-1234L
4	22' ANGLE BRACE, 12GA	CPC-AB22
4	67' ANGLE BRACE, 12GA	CPC-AB67
1	22' BENT HARDWARE (36)	CPC-HDW-PK22
1	67' BENT HARDWARE (36)	CPC-HDW-PK67
2	STRAIGHT HARDWARE (30)	IPC-HDWSTRT30
1	STRAIGHT HARDWARE (40)	IPC-HDWSTRT40

# 16 X 32 EMERALD



BUTTRESS LOCATIONS

A to C	15'-0"
A to D	15'-8"
A to E	21'-0"
A to F	26'-1"
A to G	23'-7"
X to Y	36'-1"



**WARNING:**

JUMPING OR DIVING IN ON-GROUND POOLS CAN CAUSE PERMANENT INJURY OR DEATH.

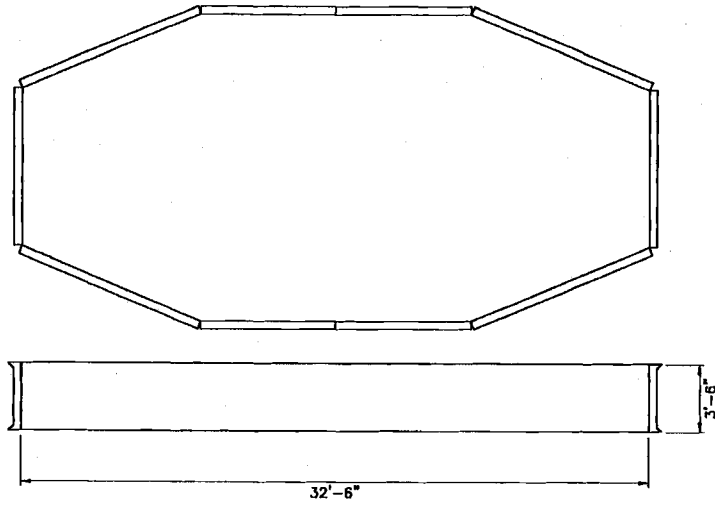
**NOTE:**

EXPANDABLE BOTTOMS ARE BOWLED OR DISHED; THE MEASUREMENTS SUPPLIED ARE GUIDES RATHER THAN EXACT MEASUREMENTS.

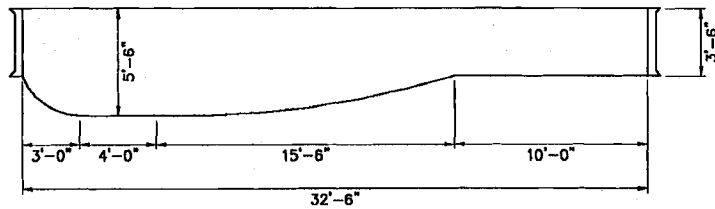
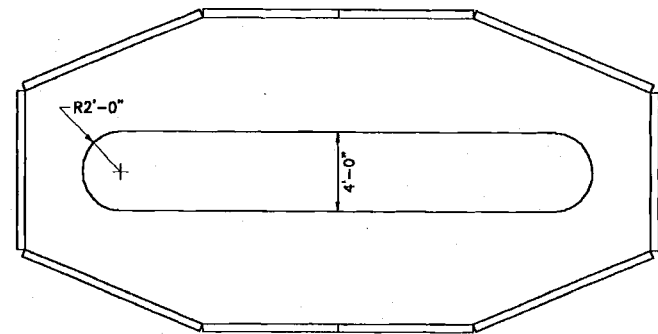
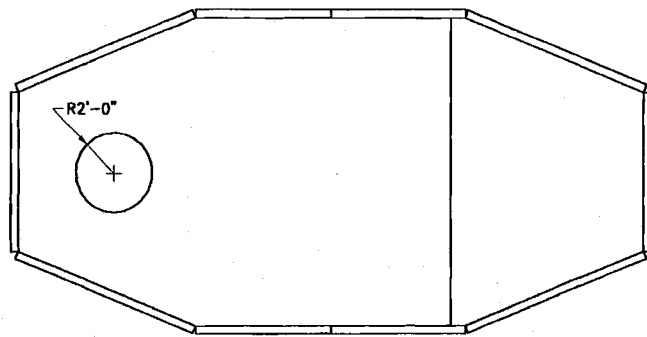
REVISIONS			CHAMPLAIN STEEL
CHG.	DATE	BY	
			FULL 8'-0" HOPPER
VOLUME: 12166 IMP GAL			DATE: JAN 01, 2002
AREA: 438.3 SQ. FT.			O\N: EM1632XS_02
PERIMETER: 84'-0"			SCALE: 1/8" = 1'-0"

# OPTIONAL BOTTOM CONFIGURATIONS

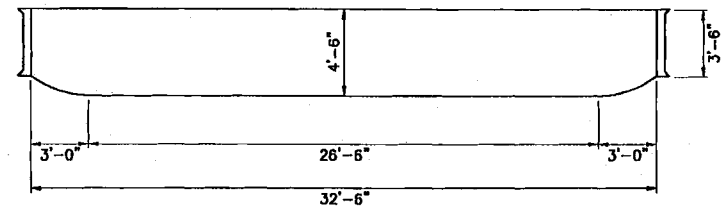
16 X 32 EMERALD



FLAT BOTTOM  
VOLUME: 7734 IMP GAL



PARTIAL 5° EXPANDABLE BOTTOM  
VOLUME: 9437 IMP GAL



FULL 5° EXPANDABLE BOTTOM  
VOLUME: 9399 IMP GAL