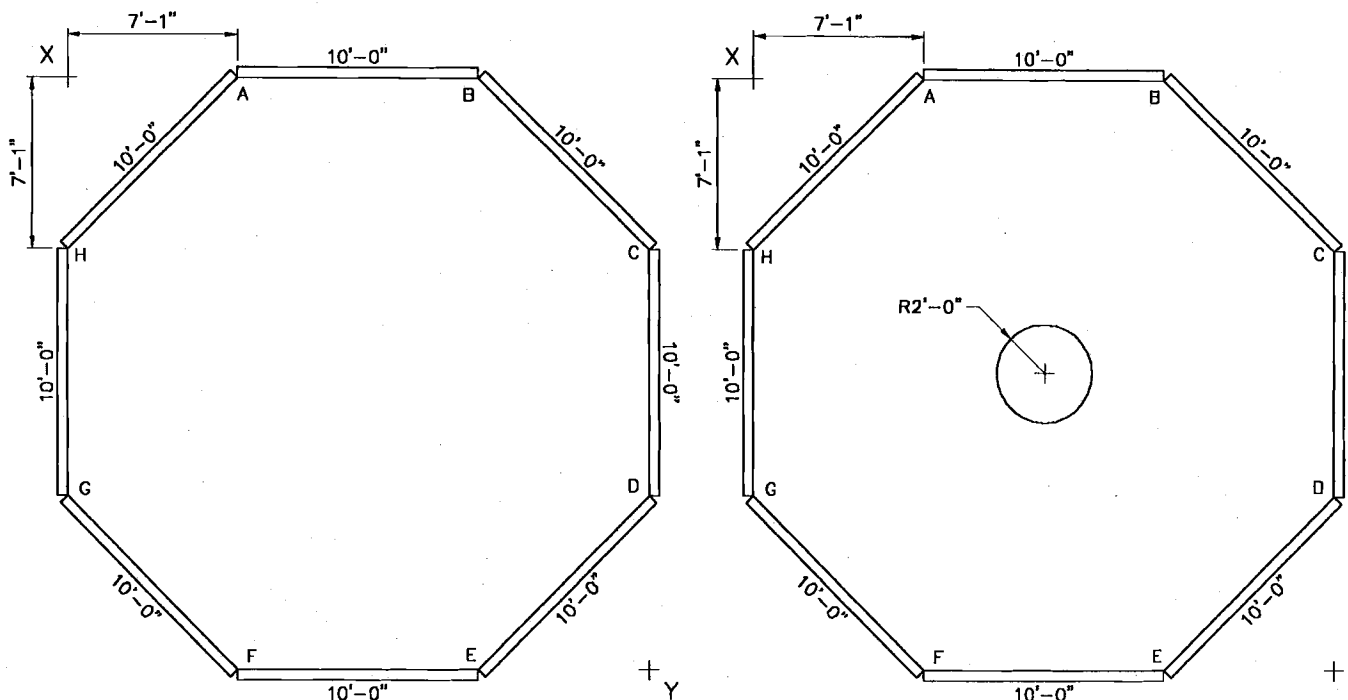


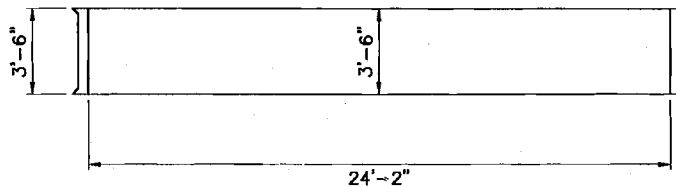
**BILL OF MATERIALS**

QTY.	DESCRIPTION	CODE
1	10'-0" HAYWARD SKIMMER	CPN-S120SH
6	10'-0" PLAIN PANEL	CPN-S120
1	10'-0" HAYWARD RETURN	CPN-S120RH
8	45° ANGLE BRACE, 12GA	CPC-AB45
1	45° BENT HARDWARE (72)	CPC-HDW-PK45
1	STRAIGHT HARDWARE (40)	IPC-HDWSTRT40

# 26' OCTAGON

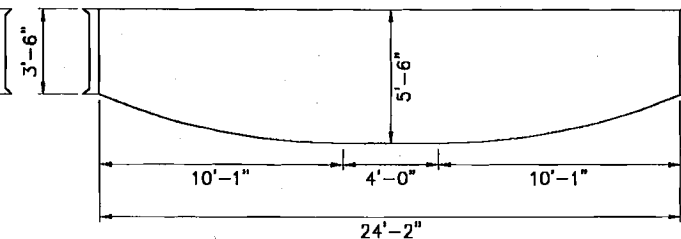


A to C	18'-6"
A to D	24'-2"
A to E	26'-2"
A to F	24'-2"
A to G	18'-6"



**FLAT BOTTOM**

VOLUME: 9023 IMP GAL



**5' EXPANDABLE BOTTOM**

VOLUME: 10920 IMP GAL

**WARNING:**

JUMPING OR DIVING IN ON-GROUND POOLS CAN CAUSE PERMANENT INJURY OR DEATH.

**NOTE:**

EXPANDABLE BOTTOMS ARE BOWLED OR DISHED; THE MEASUREMENTS SUPPLIED ARE GUIDES RATHER THAN EXACT MEASUREMENTS.

REVISIONS			CHAMPLAIN STEEL FLAT / EXPANDABLE
CHG.	DATE	BY	
			DATE: JAN 01, 2002
			Q\N: OC0026XS_02
			SCALE: 1/8" = 1'-0"
AREA: 482.8 SQ. FT.			
PERIMETER: 80'-0"			