

SAVE THESE INSTRUCTIONS

DEALER/INSTALLER: GIVE TO HOMEOWNER

CONFER-STEP-1

Above-Ground Pool Steps ASSEMBLY AND INSTALLATION MANUAL



**Note: 40 lbs.
of sand
required!
(See Step 8)**



Made in the U.S.A. by
CONFER
plastics inc.

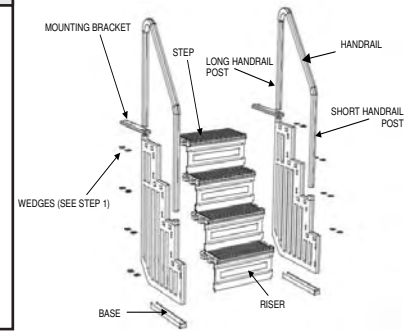
www.conferladders.com

CONFER-STEP MODEL # STEP-1

Inpool Steps from Confer Plastics

NOTE : FOR INSTALLATION ON FLAT BOTTOM ABOVE GROUND POOLS ONLY. NOT FOR DISHED/SLOPED BOTTOMS

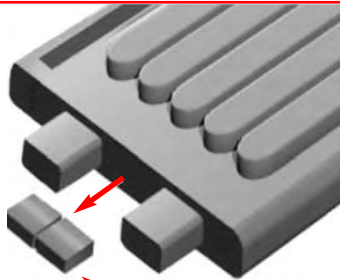
PARTS LIST		HARDWARE		TOOLS REQUIRED FOR ASSEMBLY:
Qty	Description	Qty	Description	
2 -	Bases	22 -	#10 x 1-1/4" Screw	<ul style="list-style-type: none"> • Mallet or hammer and block of wood • Phillips Screwdriver • Cordless Drill Motor • 1/8" Drill Bit • Knife • Pliers • Liquid Soap or Spray Lubricant • Sand (approximately 40 lbs.)
2 -	Side Panels	2 -	Label - No Jumping/Diving	
2 -	Handrails	2 -	Mounting Brackets	
2 -	Long Handrail Posts			
2 -	Short Handrail Posts			
4 -	Risers			
4 -	Steps (with 16 wedges)			
	See Step 1			



Step 1

Using pliers remove the locking wedges from both ends of each step and **SAVE**.

The four handrail posts are joined together as one unit and must be separated before starting assembly. Using a sharp knife, carefully cut the posts apart. When finished you will have two long posts and two short posts as required in step #7.

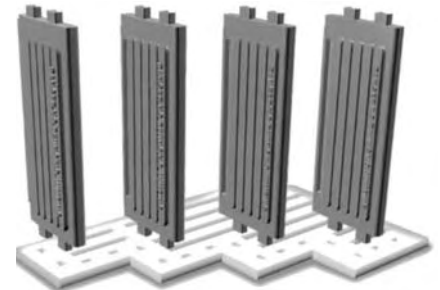


Remove wedges and save for Step 5.

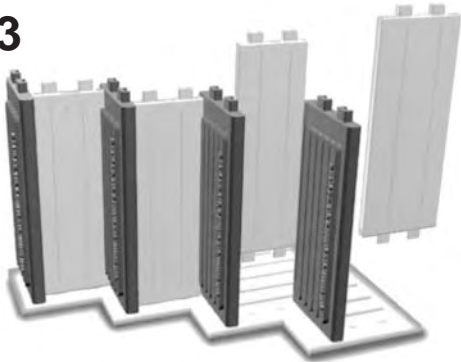
Step 2

Make sure wording is facing forward.

Lay one of the side panels down on a clean, flat surface. Push the end of each step into the openings of the side panel. Make sure that the riser groove in the top of each step is lined up with the riser recess in the side panel and the engraved markings "Danger No Jumping/No Diving" are facing toward the front of the unit.



Step 3



Insert a riser between each of the steps so that the ends of the risers align in the riser recesses on the same panel.

Note: Position riser so center hole faces "back" of steps.

Step 4



Position the second side panel over the steps and risers and press the panel down so that each step and riser are fully seated into the second side panel. It may be necessary to tap the side panel, using a mallet or a hammer and block of wood, to fully seat it.

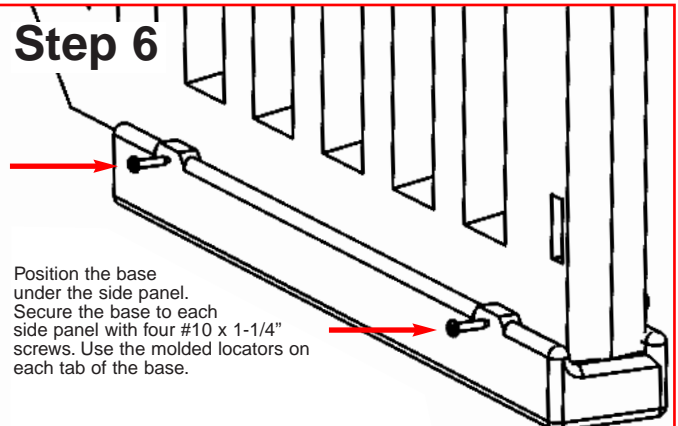
Step 5

Secure each step by fully inserting the locking **wedges**, saved from step #1, between the side panel and the top surface of both ends of each step.



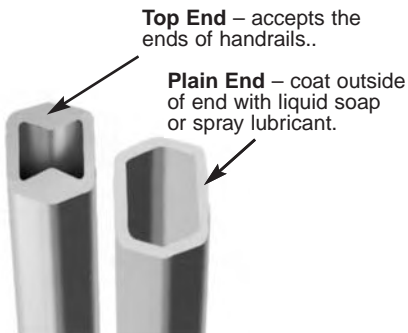
Step 6

Position the base under the side panel. Secure the base to each side panel with four #10 x 1-1/4" screws. Use the molded locators on each tab of the base.



Step 7

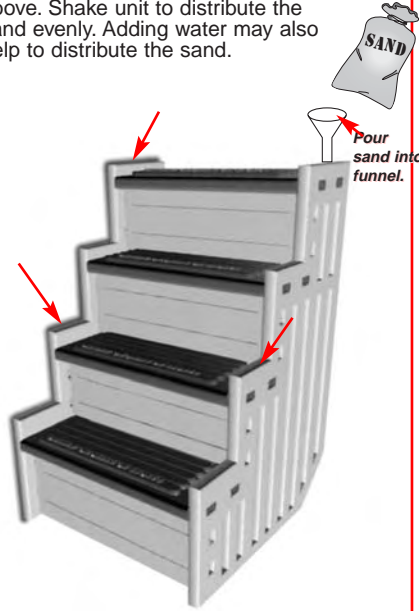
Place the assembled unit on the deck near the pool. Note that there are two sets of handrail posts—one set 36-1/4" long and one set 43-1/2" long. Also note that the inside ends of each handrail post are formed differently - the "top" end is H-shaped inside to accept the ends of the handrails and the opposite end is the "plain end" (the end to be inserted into the side panels). Spray the "plain ends" of all four handrail posts with liquid soap or spray lubricant.



Step 8

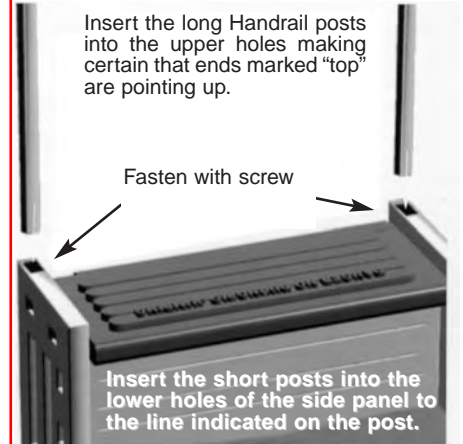
IMPORTANT: To prevent floating you **MUST** do the following: Pour about 10 pounds of dry sand into each of the four openings indicated above. Shake unit to distribute the sand evenly. Adding water may also help to distribute the sand.

Note:
40 lbs.
of sand
required!



Side 8a.

Fasten the long Handrail posts to the side panels with one #10 x 1-1/4" screw per post approximately one inch (1") below the mouth of the hole in which the post is inserted into the side panel.

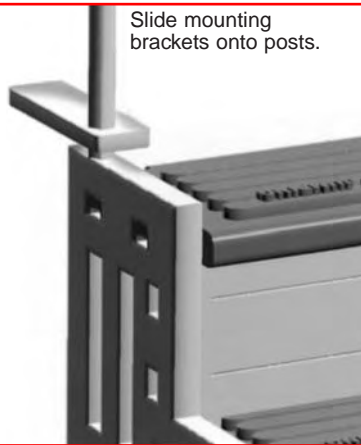


STOP!

If you are assembling this unit for use with an enclosure kit or SIG system **do not** attach the mounting brackets. Affix the "No diving" labels as indicated in step 9 below and continue to step 10.

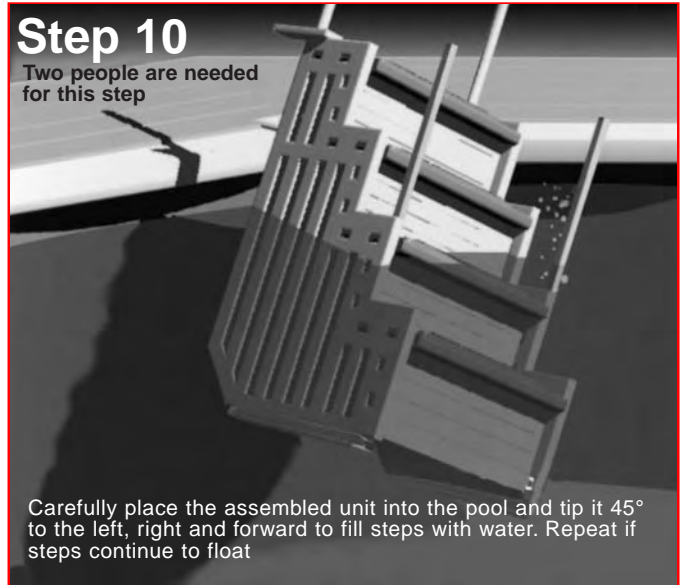
Step 9

Spray the inside opening of the mounting brackets with liquid soap or spray lubricant and slide a mounting bracket over each of the two higher handrail posts so that they extend out away from the steps. Affix the two "No jumping – No diving" stickers to the upper end of one of the handrail posts, one facing the pool and one facing away from the pool.



Step 10

Two people are needed for this step



STOP!

If you are assembling this unit for use with an enclosure kit or SIG system refer to the instructions supplied with the kit. **Do not** attach the handrails to the posts as described below.

Step 11

Fasten with Screw to secure.

Spray the ends of the handrails with liquid soap or spray lubricant and slip the ends of the handrails into the open ends of the posts until they are fully seated. Secure in place using one #10 x 1-1/4" screw per post.



Step 12

Position the unit, between upright posts of the pool, so that the handrail posts are as close as possible to the pool top seat. Slide the mounting brackets down until they reach the deck surface. Fasten to the deck surface by drilling two 1/8" pilot holes, using the preformed holes in the mounting brackets as guides. If the bracket is not long enough to reach the deck surface it will be necessary to extend that part of the deck surface so that the brackets can be fastened down.

Secure with two #10 x 1-1/4" screws per bracket. After fastening the unit to the deck secure the brackets to the handrail posts using one #10 x 1-1/4" screw per bracket.

Note: After assembly you will have two extra #10 x 1-1/4" screws.



Safety Information

- 1) Always follow the manufacturer's recommendations for the safe use of all hand tools and equipment.
- 2) **Do not** use the Confer-Step for any purpose other than that for which it is intended.
- 3) When lifting awkward or heavy loads, have another person help you.
- 4) Maximum weight on steps **notto** exceed **400 lbs.**
- 5) **WARNING:** Exceeding the recommended weight restriction may cause the unit to fail.
- 6) Consult your local building department before installation of your pool and equipment.



Options available – To make an up-and-over step system with gate as shown for your pool purchase our #Step-Enc Enclosure Kit and an additional #Step-1.

Contact your dealer or check online at www.conferladders.com

TO WINTERIZE YOUR POOL

We suggest removing your Confer-Step from the pool for the off-season months.

If your Confer-Step is attached to a deck: Two people are required for this operation and it is best to remove the unit while the water is still warm enough so that one person can get into the pool. Disconnect the mounting brackets from the deck. The person in the water can lift the unit up while the person on the deck helps to pull and guide the unit onto the deck. After the unit is on the deck, and the water has drained out of the steps, lay the unit on it's back side so that most of the water drains from the side panels.

If getting into the water is not an option the unit can be removed by both people standing on the deck and lifting and tilting the unit to drain some of the water from the steps. After the unit is light enough carefully lift it from the pool. Caution: Use care when lifting the unit. It will weigh at least 130 lbs.

If you have the Confer-Step Enclosure System or Connector System: disconnect the two units by removing the center platform/side rail assembly at the top of the steps. Do not stand on the top step of the outside unit as it may tip. Lift up the unit inside the pool and tilt it so that water drains out of the steps. Once it is light enough carefully lift it over the side of the pool, lay the unit on it's back side and allow most of the water to drain from the side panels.

The Confer-Step can be covered, if desired, and stored outdoors.

CONFER PLASTICS, INC. LIMITED, PRO-RATED WARRANTY

Confer Plastics, Inc. warrants their swimming pool ladders to be free from defects in workmanship for one year from date of purchase. After the first year the cost to replace a part is as follows:

STEP-1	
2 nd Year - 20%	} of current parts list price
3 rd Year - 40%	
4 th Year - 60%	
5 th Year - 80%	
Plus shipping/handling	

DO NOT RETURN DEFECTIVE PART TO DEALER

The defective part should be returned, postpaid, to:
Confer Plastics, Inc.
97 Witmer Road
North Tonawanda, N.Y. 14120-2421

Enclose proof-of-purchase (receipts, etc.) showing date purchased, your name, address, and daytime phone number. You will be notified of cost to replace part.

This warranty gives you specific legal rights, and you may also have other rights which may vary from state to state.

MADE IN THE U.S.A. by:



CONFER
plastics inc.

Printed in U.S.A.

97 Witmer Road
North Tonawanda, New York 14120-2421
Toll Free U.S. 866-396-2968
716-283-1826/ FAX 716-283-3249
www.conferladders.com